

品名順仕様一覧

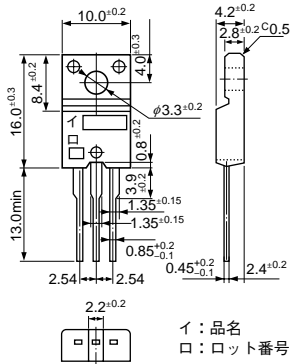
| 品名 | 絶対最大定格 (Ta=25°C) | | | | | IGES | | ICES | | VGE(th) | | | | VCE(sat) | | | | Cies | Coes | Cres | | | |
|---------|------------------|-----------------|----------------|-----------------------|-----------------------------|------|-----------------|------|-----------------|----------------|-----------------|----------------|-----------------|----------------|-----------------|------|------|------|------------------------|------------------------|-----|-----|-----|
| | V _{CES} | V _{GE} | I _C | I _{C(pulse)} | P _C (Ta=25°C) | (nA) | 条件 | (μA) | 条件 | (V) | | 条件 | | 条件 | | (pF) | (pF) | (pF) | V _{CE} (V) | V _{GE} (V) | 条件 | | |
| | (V) | (V) | (A) | (A) | (W) | | V _{GE} | | V _{CE} | I _C | V _{CE} | I _C | V _{GE} | I _C | V _{GE} | | | | | | typ | max | typ |
| | | | | | | max | (V) | max | (V) | min | max | (mA) | (V) | typ | max | (A) | (V) | | | | | | |
| FGM603 | 600 | ±20 | 30 | 90 | 60 | ±100 | ±20 | 100 | 600 | 4 | 7 | 1 | 10 | 1.6 | 2.0 | 30 | 15 | 4600 | 110 | 80 | 20 | 0 | |
| FGM622S | 600 | ±30 | 25 | 75 | 60 | ±500 | ±30 | 100 | 600 | 4 | 7 | 1 | 10 | 1.7 | 1.9 | 25 | 15 | 1300 | 80 | 40 | 20 | 0 | |
| FGM623S | 600 | ±30 | 30 | 100 | 60 | ±500 | ±30 | 100 | 600 | 3 | 6 | 1 | 10 | 1.5 | 1.7 | 30 | 15 | 2500 | 150 | 80 | 20 | 0 | |
| FGT312 | 330 | ±30 | 20 | 120 | 35 | ±100 | ±30 | 100 | 330 | 3 | 6 | 1 | 10 | 1.3 | 1.7 | 20 | 15 | 1200 | 130 | 65 | 20 | 0 | |
| FGT313 | 330 | ±30 | 30 | 200 | 35 | ±100 | ±30 | 100 | 330 | 3 | 6 | 1 | 10 | 1.3 | 1.7 | 30 | 15 | 2400 | 110 | 60 | 30 | 0 | |
| FGT412 | 400 | ±30 | 20 | 120 | 35 | ±100 | ±30 | 100 | 400 | 3 | 6 | 1 | 10 | 1.4 | 1.8 | 20 | 15 | 1200 | 120 | 65 | 20 | 0 | |
| FGT612 | 600 | ±30 | 20 | 120 | 35 | ±100 | ±30 | 100 | 600 | 3 | 6 | 1 | 10 | 1.6 | 2.0 | 20 | 15 | 1200 | 80 | 40 | 20 | 0 | |
| MGD623N | 600 | ±30 | 50 | 100 | 150 | ±100 | ±30 | 100 | 600 | 3 | 6 | 1 | 10 | 1.7 | 2.3 | 50 | 15 | 2500 | 150 | 80 | 20 | 0 | |
| MGD623S | 600 | ±30 | 50 | 100 | 150 | ±100 | ±30 | 100 | 600 | 3 | 6 | 1 | 10 | 1.8 | 2.4 | 50 | 15 | 2500 | 150 | 80 | 20 | 0 | |

| 電気的特性 (Ta=25°C) | | | | | | | | | | | | | | | | | | | | 外形 | 質量 (g) | |
|-----------------|------|---------|------|-----|-----|--------|------|------|------|-----|-----|-----|-----|-----|-----|------|-----|--------|--|---------------|-----------|------|
| td(on) | tr | td(off) | tf | 条件 | | | Qg | Qge | Qgc | 条件 | | | VF | | 条件 | trr | 条件 | | | | | |
| (ns) | (ns) | (ns) | (ns) | Ic | VCE | | (nC) | (nC) | (nC) | Ic | VCE | VGE | (V) | | IF | (μs) | IF | di/dt | | | | |
| typ | typ | typ | typ | (A) | (V) | | typ | typ | typ | (A) | (V) | (V) | typ | max | (A) | typ | (A) | (A/μs) | | | | |
| 130 | 70 | 340 | 200 | 30 | 300 | L Load | 120 | 30 | 30 | 30 | 300 | 15 | | | | | | | | TO3PF (FM100) | 6.5 | |
| 50 | 60 | 200 | 120 | 25 | 300 | L Load | 40 | 10 | 10 | 25 | 300 | 15 | | | | | | | | TO3PF (FM100) | 6.5 | |
| 100 | 80 | 300 | 120 | 30 | 300 | L Load | 65 | 20 | 20 | 30 | 300 | 15 | | | | | | | | TO3PF (FM100) | 6.5 | |
| 15 | 30 | 55 | 210 | 20 | 150 | R Load | 35 | 8 | 10 | 20 | 150 | 15 | | | | | | | | TO220F (FM20) | 2.0 | |
| 20 | 90 | 90 | 180 | 60 | 250 | R Load | 65 | 10 | 20 | 60 | 250 | 15 | | | | | | | | TO220F (FM20) | 2.0 | |
| 15 | 35 | 55 | 220 | 20 | 200 | R Load | 35 | 8 | 10 | 20 | 200 | 15 | | | | | | | | TO220F (FM20) | 2.0 | |
| 25 | 60 | 70 | 190 | 20 | 300 | R Load | 35 | 6 | 9 | 20 | 300 | 15 | | | | | | | | TO220F (FM20) | 2.0 | |
| 75 | 70 | 250 | 200 | 50 | 300 | L Load | 65 | 15 | 20 | 50 | 300 | 15 | 1.2 | 1.6 | 30 | 0.3 | 30 | 100 | | TO3P (MT100) | 6.0 | Di内蔵 |
| 75 | 70 | 250 | 120 | 50 | 300 | L Load | 65 | 15 | 20 | 50 | 300 | 15 | 1.2 | 1.6 | 30 | 0.3 | 30 | 100 | | TO3P (MT100) | 6.0 | Di内蔵 |

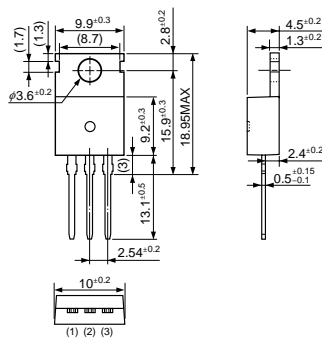


■外形図一覧

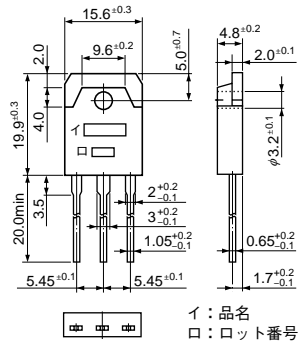
・ TO-220F



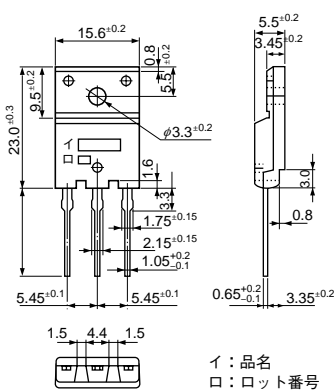
・ TO-220



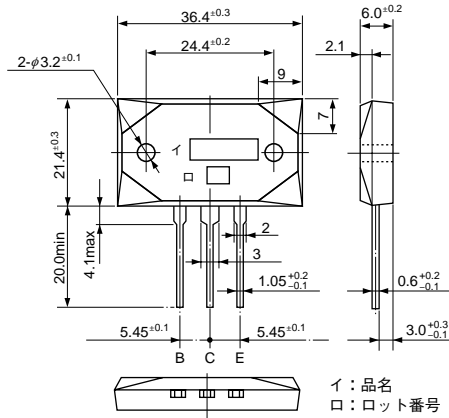
・ TO-3P



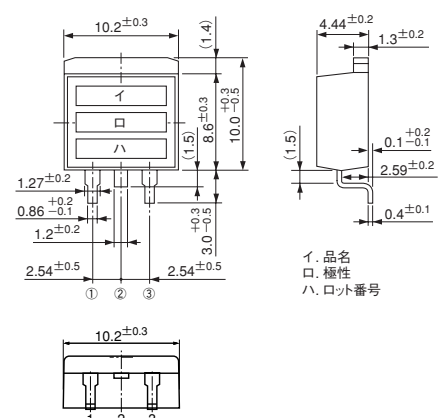
・ TO-3PF



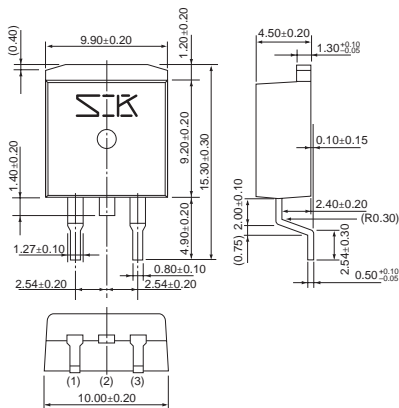
・ MT-200



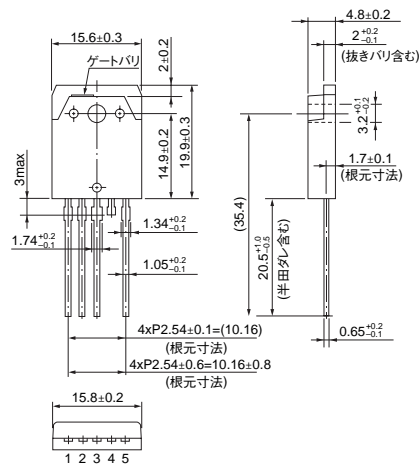
・ TO-220S



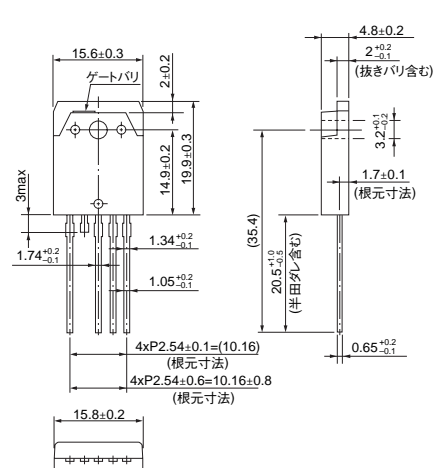
・ TO-263



・ TO3P-5pin
NPN



PNP



(単位 : mm)