

# Power Transistor MN638S

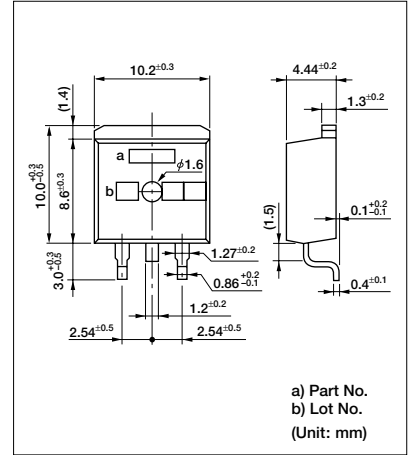
## Absolute Maximum Ratings (Ta=25°C)

Symbol	Ratings	Unit
V <sub>CB0</sub>	380±50	V
V <sub>CE0</sub>	380±50	V
V <sub>EB0</sub>	6	V
I <sub>c</sub>	6 (pulse 10)	A
I <sub>B</sub>	1	A
P <sub>c</sub>	60 (T <sub>c</sub> =25°C)	W
T <sub>j</sub>	150	°C
T <sub>stg</sub>	-55 to +150	°C

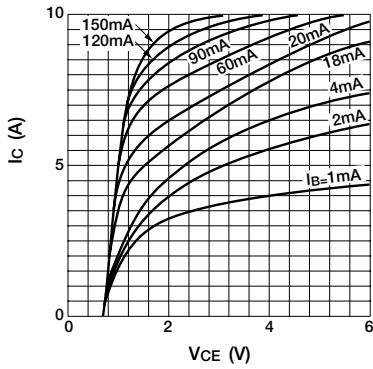
## Electrical Characteristics (Ta=25°C)

Symbol	Test Conditions	Ratings	Unit
I <sub>CB0</sub>	V <sub>CB</sub> =330V	10max	μA
I <sub>EB0</sub>	V <sub>EB</sub> =6V	20max	mA
V <sub>(BR) CEO</sub>	I <sub>c</sub> =25mA	330 to 430	V
h <sub>FE</sub>	V <sub>CE</sub> =2V, I <sub>c</sub> =3A	1500min	
V <sub>CE (sat)</sub>	I <sub>c</sub> =4A, I <sub>B</sub> =20mA	1.5max	V

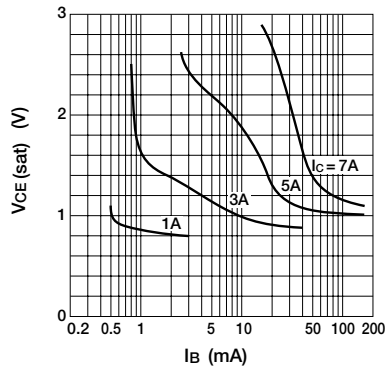
## External Dimensions TO220S



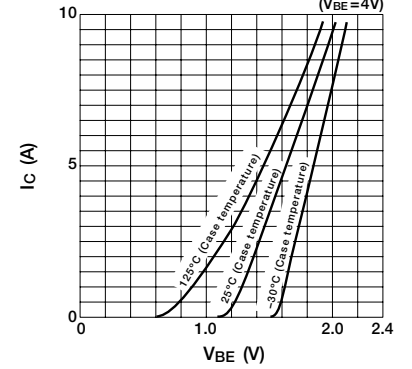
■ I<sub>c</sub>—V<sub>CE</sub> Characteristics (typ.)



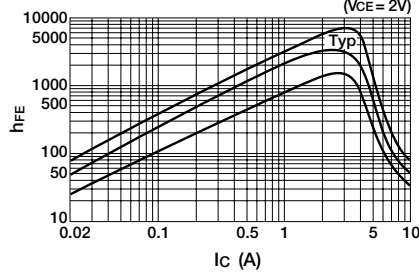
■ V<sub>CE (sat)</sub>—I<sub>B</sub> Characteristics (typ.)



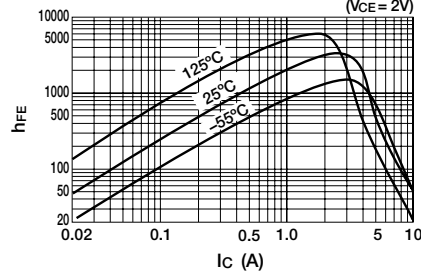
■ I<sub>c</sub>—V<sub>BE</sub> Temperature Characteristics (typ.)



■ h<sub>FE</sub>—I<sub>c</sub> Characteristics (typ.)



■ h<sub>FE</sub>—I<sub>c</sub> Temperature Characteristics (typ.)



■ θ<sub>j-c</sub>•θ<sub>j-a</sub>—t Characteristics

