

# STR-X6750B

Sep. 2013

## ◆ General description

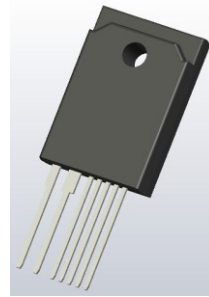
The STR- X6750B is power IC for quasi-resonant type switching power supply, incorporating a power MOSFET and a controller IC. The product achieves high efficiency and low noise power supply systems by the quasi-resonant operation.

## ◆ Features

- Quasi-resonant operation mode  
Achieves the optimal high efficiency and low noise power supply systems.
- Current mode control
- Built-in PWM oscillator  
The PWM operates with the minimum frequency of around 22kHz, until the quasi-resonant signal becomes valid, reduces the stress on components at startup and load-shorted.
- Built-in soft start function
- Step-drive function, reducing switching noise
- Input compensation at overcurrent  
The function reduces the distortion of overcurrent operation point to AC input voltage change by adding three components.
- Avalanche energy guaranteed by two chips structure (Simplification of surge absorbing circuit)
- Protection functions  
Overcurrent protection (OCP); Pulse-by-pulse  
Overload protection (OLP); latched shutdown  
Overvoltage protection (OVP); latched shutdown

## ◆ Package

Package name: TO-3PF-7L



## ◆ Specification

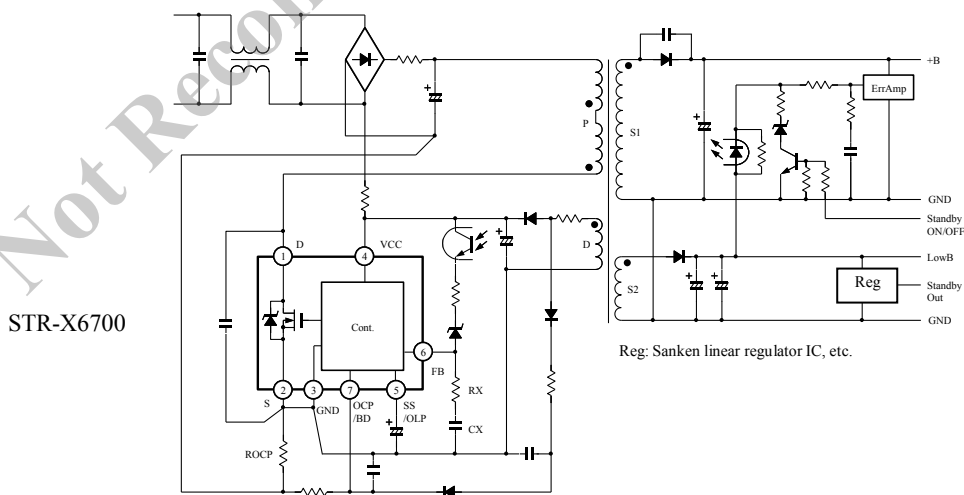
MOSFET 650V(MIN), 0.62Ω(MAX)

## ◆ Application

Switching power supplies for

- LCD-TVs, PDP-TVs, CRT-TVs and Digital consumer equipment
- Home appliances
- OA equipments
- Industry machines
- Communication devices

## ◆ Typical application circuit



# STR-X6750B

Sep. 2013

## Absolute maximum ratings

- The polarity value for current specifies a sink as "+," and a source as "-", referencing the IC.
- Unless otherwise specified,  $T_A = 25\text{ }^\circ\text{C}$

Item	Pin	Symbol	Ratings	Unit	Remark
Drain Current	1-2	$I_{Dpeak}^{(1)}$	18	A	Single pulse
Maximum Switching Current	1-2	$I_{DMAX}^{(2)}$	18	A	$T_a = -20$ to $+125\text{ }^\circ\text{C}$
Avalanche Energy	1-2	$E_{AS}^{(3)}$	326	mJ	Single pulse
					$V_{DD} = 30\text{V}$ , $L = 50\text{mH}$ $I_{Lpeak} = 3.53\text{A}$
Control Power Supply Voltage	4-3	$V_{CC}$	35	V	
SS/OLP pin Voltage	5-3	$V_{SSOLP}$	$-0.5 \sim 6.0$	V	
FB pin Inflowing Current	6-3	$I_{FB}$	10	mA	
FB pin Voltage	6-3	$V_{FB}$	$-0.5 \sim 9.0$	V	Within $I_{FB}$ control
OCP/BD pin Voltage	7-3	$V_{OCPBD}$	$-1.5 \sim 5.0$	V	
MOS FET Power Dissipation	1-2	$P_{D1}^{(4)}$	44	W	By infinite radiator
			2.8	W	No radiator
Control Power Dissipation (MIC)	4-3	$P_{D2}^{(5)}$	0.8	W	Defined by $V_{CC} \times I_{CC}$
Operating Inner Flame Temperature	-	$T_F$	$-20 \sim +125$	$^\circ\text{C}$	Refer to recommended operating temperature
Operating Ambient Temperature	-	$T_{OP}$	$-20 \sim +125$	$^\circ\text{C}$	
Storage Temperature	-	$T_{stg}$	$-40 \sim +125$	$^\circ\text{C}$	
Channel Temperature	-	$T_{ch}$	+150	$^\circ\text{C}$	

(1) Refer to MOS FET A.S.O. curve

(2) Regarding the maximum switching current

The maximum switching current is drain current IC determined by inner drive voltage and MOS FET  $V_{th}$ .

(3) Refer to MOS FET  $T_{ch} - E_{AS}$  curve

(4) Refer to MOS FET  $T_a - P_{D1}$  curve

# STR-X6750B

Sep. 2013

## Electrical characteristics

### Electrical characteristics for control part

- The polarity value for current specifies a sink as "+," and a source as "-," referencing the IC.
- Unless otherwise specified,  $T_A = 25\text{ }^\circ\text{C}$ ,  $V_{CC} = 20\text{V}$

Item	Pin	Symbol	Ratings			Unit	Remark
			MIN	TYP	MAX		
<b>Power supply Start-up Operation</b>							
Operation start power supply voltage	4-3	$V_{CC(ON)}$	16.3	18.2	19.9	V	
Operation stop power supply voltage	4-3	$V_{CC(OFF)}$	8.8	9.7	10.6	V	
Circuit current in operation	4-3	$I_{CC(ON)}$	-	-	6	mA	
Circuit current in non-operation	4-3	$I_{CC(OFF)}$	-	-	100	$\mu\text{A}$	
Oscillation frequency	1-2	$f_{OSC}$	19	22	25	kHz	
Soft start operating stop voltage	5-3	$V_{SSOLP(SS)}$	1.1	1.2	1.4	V	
Soft start operating charging current	5-3	$I_{SSOLP(SS)}$	-710	-550	-390	$\mu\text{A}$	
<b>Normal Operation</b>							
Overcurrent detection threshold voltage	7-3	$V_{OCPBD(LIM)}$	-0.995	-0.940	-0.895	V	
OCP/BD pin source current	7-3	$I_{OCPBD}$	-250	-100	-40	$\mu\text{A}$	
Quasi-resonant operation threshold voltage 1	7-3	$V_{OCPBD(TH1)}$	0.28	0.40	0.52	V	
Quasi-resonant operation threshold voltage 2	7-3	$V_{OCPBD(TH2)}$	0.67	0.80	0.93	V	
FB pin threshold voltage	6-3	$V_{FB(OFF)}$	1.32	1.45	1.58	V	
FB pin sink current (Normal operation)	6-3	$I_{FB(ON)}$	600	1000	1400	$\mu\text{A}$	
<b>Stand-by Operation</b>							
Stand-by operation start voltage	4-3	$V_{CC(S)}$	10.3	11.2	12.1	V	
Stand-by operation start voltage interval	4-3	$V_{CC(SK)}$	1.10	1.35	1.65	V	
Stand-by non-operation circuit current	4-3	$I_{CC(S)}$	-	20	56	$\mu\text{A}$	
FB pin sink current (stand-by operation)	6-3	$I_{FB(S)}$	-	4	14	$\mu\text{A}$	
FB pin threshold voltage (stand-by operation)	6-3	$V_{FB(S)}$	0.55	1.10	1.50	V	
Minimum ON time	1-2	$t_{ON(MIN)}$	0.65	1.00	1.35	$\mu\text{s}$	
<b>Protection Operation</b>							
Maximum ON time	1-2	$t_{ON(MAX)}$	27.5	32.5	39.0	$\mu\text{s}$	
OLP operation threshold voltage	5-3	$V_{SSOLP(OLP)}$	4.0	4.9	5.8	V	
Charge current in OLP operation	5-3	$I_{SSOLP(OLP)}$	-16	-11	-6	$\mu\text{A}$	
OVP operation power supply voltage	4-3	$V_{CC(OVP)}$	25.5	27.7	29.9	V	
Latch circuit holding current *	4-3	$I_{CC(H)}$	-	45	140	$\mu\text{A}$	
Latch circuit releasing power supply voltage *	4-3	$V_{CC(La.OFF)}$	6.0	7.2	8.5	V	

\*Latch circuit refers to operation during OVP and OLP.

# STR-X6750B

Sep. 2013

## Electrical characteristics for MOSFET part

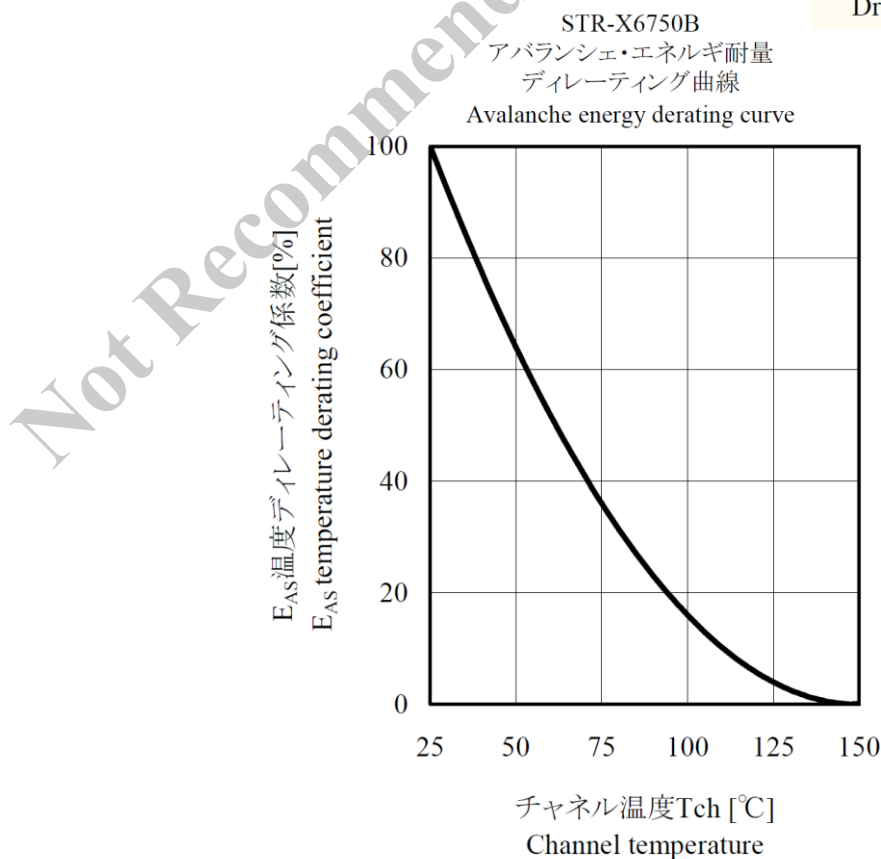
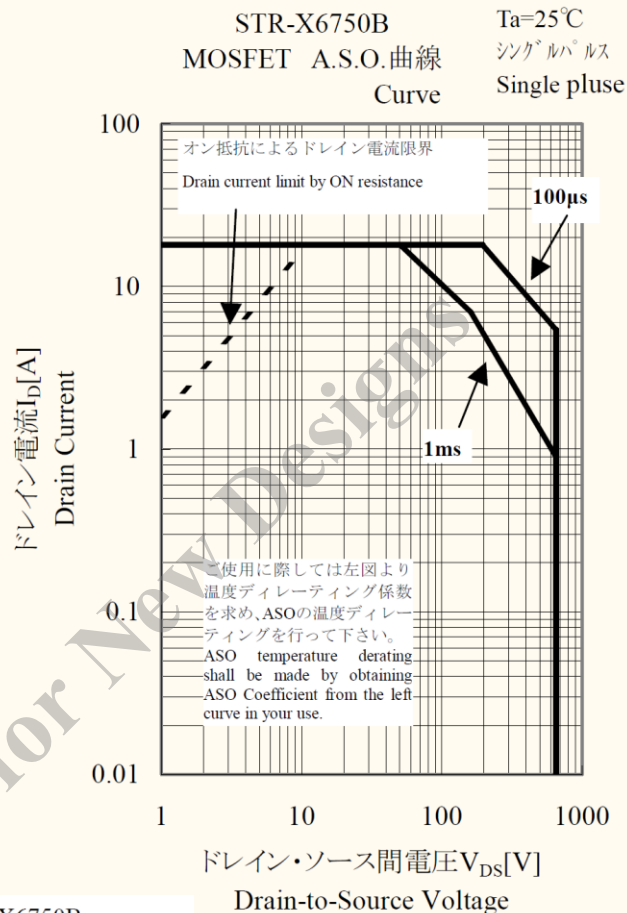
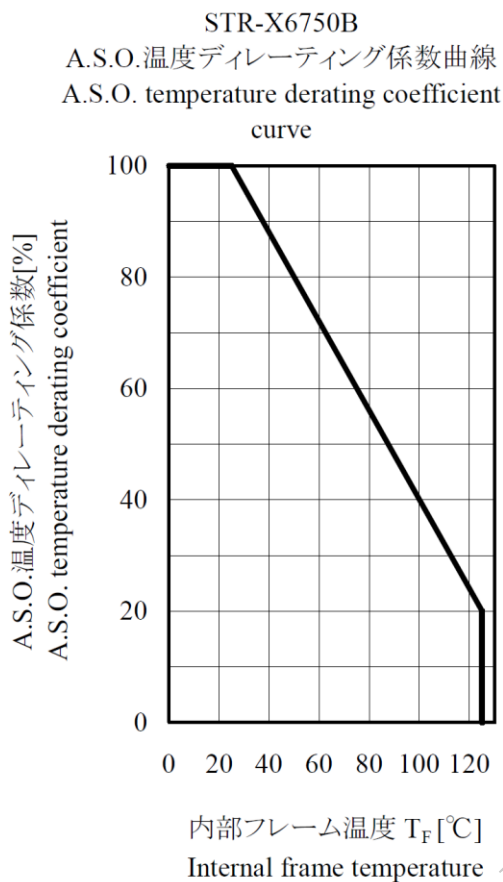
- Unless otherwise specified,  $T_A = 25\text{ }^\circ\text{C}$ ,

Item	Pin	Symbol	Ratings			Unit	Remark
			MIN	TYP	MAX		
Drain-to-Source voltage	1-2	$V_{DSS}$	650	—	—	V	
Drain leak current	1-2	$I_{DSS}$	—	—	300	$\mu\text{A}$	
ON resistance	1-2	$R_{DS(ON)}$	—	—	0.62	$\Omega$	
Switching time	1-2	$t_f$	—	—	500	ns	
Thermal resistance	—	$\theta_{ch-F}$	—	—	1.09	$^\circ\text{C/W}$	Channel to Internal frame

Not Recommended for New Designs

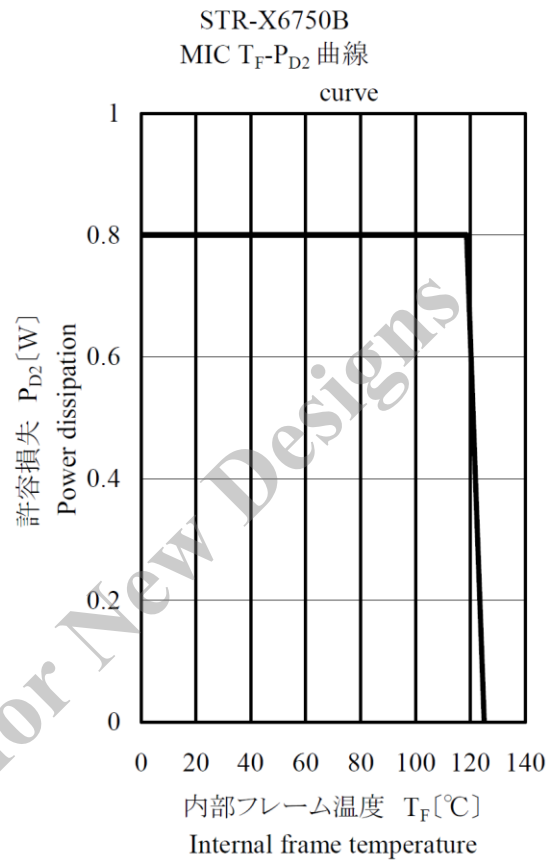
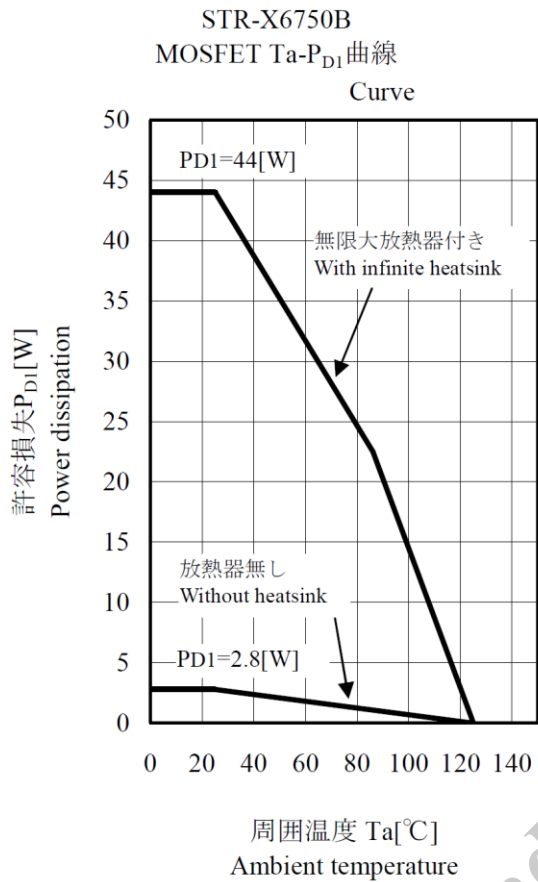
# STR-X6750B

Sep. 2013

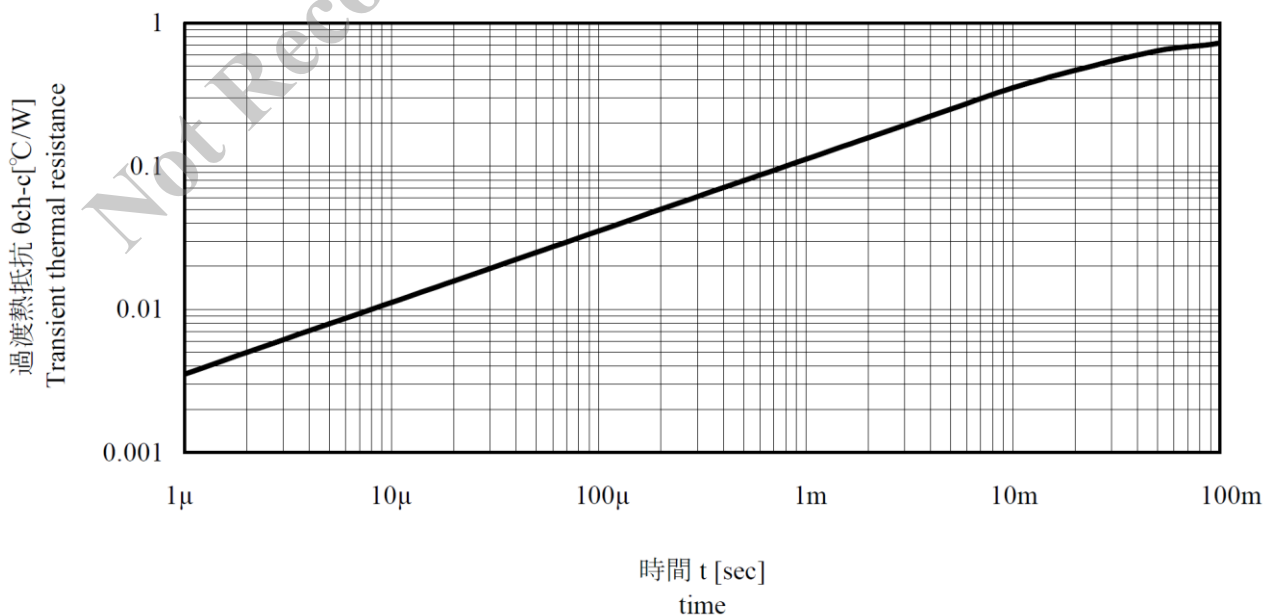


# STR-X6750B

Sep. 2013



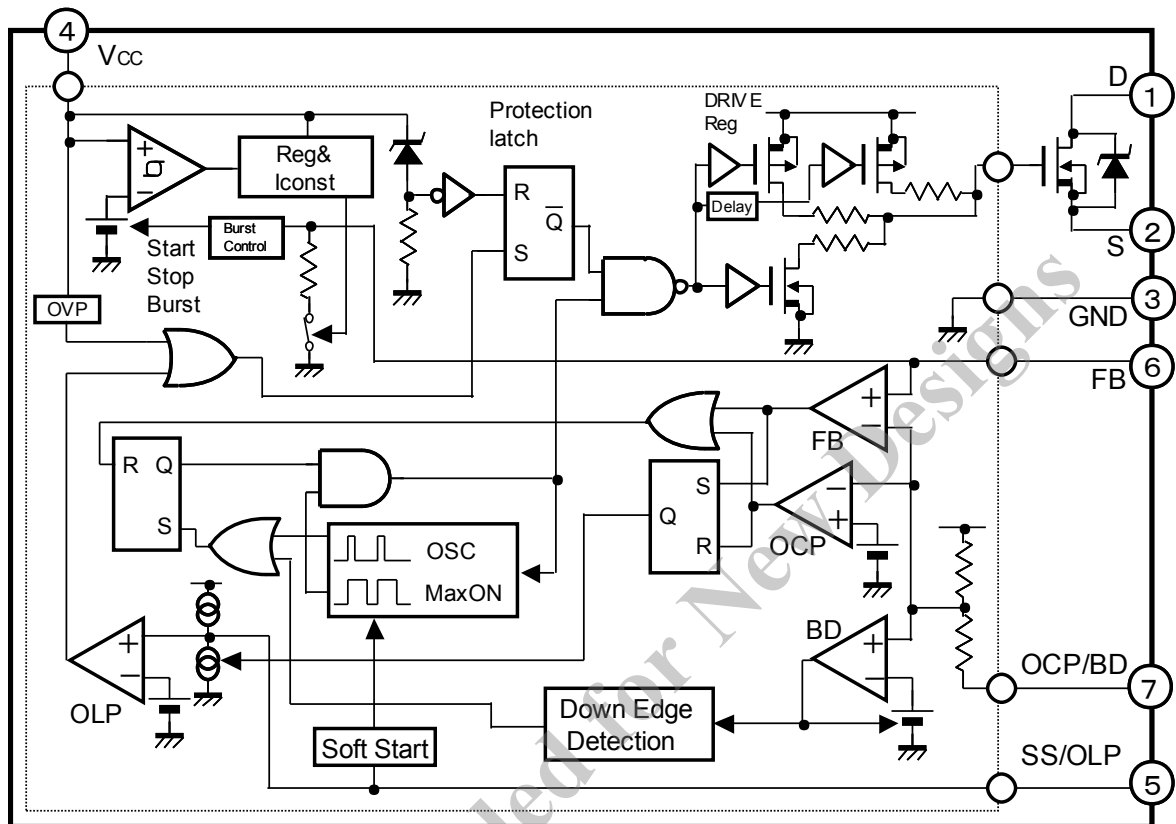
STR-X6750B  
過渡熱抵抗曲線  
Transient thermal resistance curve



# STR-X6750B

Sep. 2013

## Block diagram



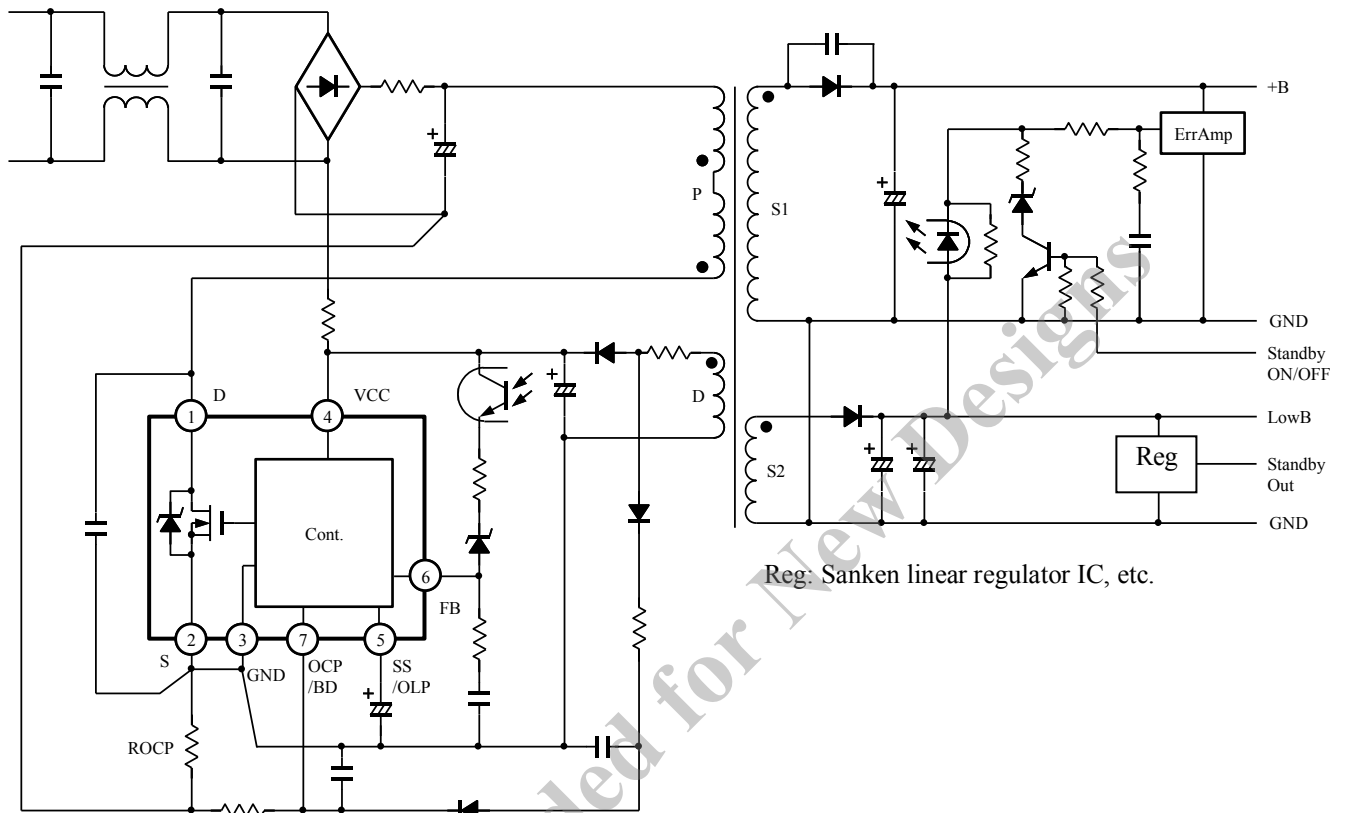
## Pin function description

Pin number	Symbol	Description	Function
1	D	Drain pin	MOSFET drain
2	S	Source	MOSFET source
3	GND	Ground pin	Ground
4	V <sub>CC</sub>	Power supply pin	Input for power supply for control circuit
5	SS/OLP	Softstart/ overload protection pin	Input for set delay for overload detection and softstart operation
6	FB	Feedback pin	Input for constant voltage control and intermittent mode oscillation control signals
7	OCP/BD	OCP input/ Bottom detection pin	Input for overcurrent detection and bottom detection signals

# STR-X6750B

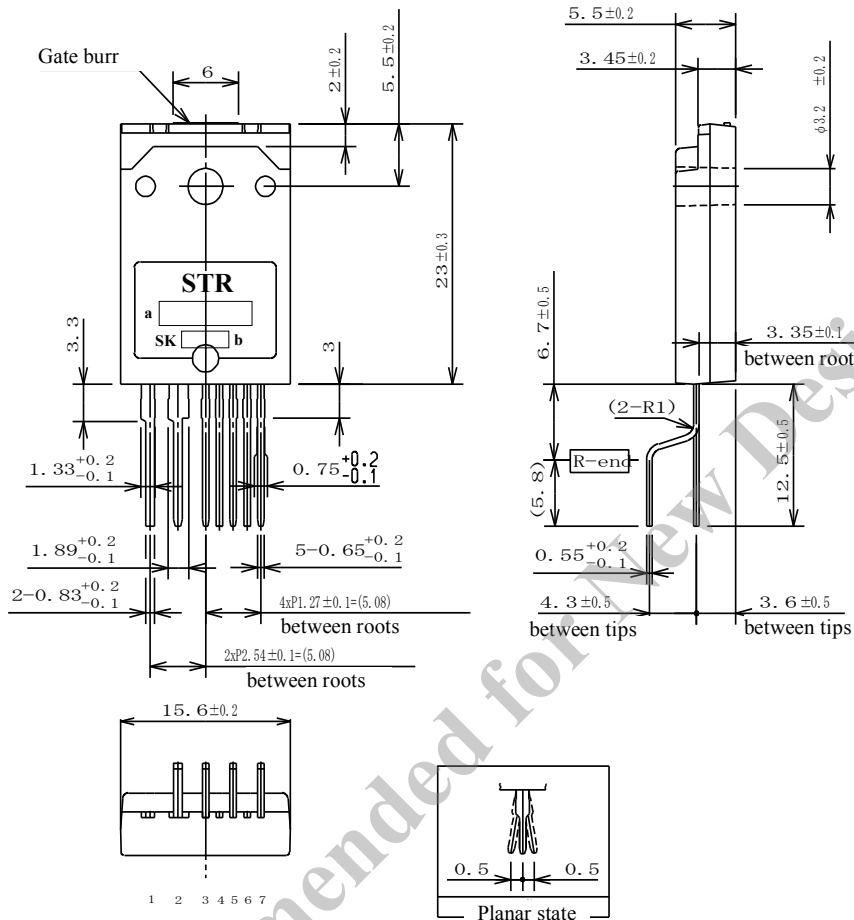
Sep. 2013

## Typical application circuit





Package



Note 1)  
- - - - part shows the point gate burr (height 0.3 max) occurred

Pin material: Cu  
Pin treatment: Ni plating and solder dip  
Product weight (approximate): 6.0g

Dimensions in millimeters

a. Part number X6750B  
b. Lot number

1<sup>st</sup> letter : The Last digit of year  
2<sup>nd</sup> letter : Month  
Jan. to Sep. Arabic number  
Oct. O  
Nov. N  
Dec. D

3<sup>rd</sup> & 4<sup>th</sup> letter : day  
01-31 Arabic numbers

## OPERATING PRECAUTIONS

In the case that you use SanKen products or design your products by using SanKen products, the reliability largely depends on the degree of derating to be made to the rated values. Derating may be interpreted as a case that an operation range is set by derating the load from each rated value or surge voltage or noise is considered for derating in order to assure or improve the reliability. In general, derating factors include electric stresses such as electric voltage, electric current, electric power etc., environmental stresses such as ambient temperature, humidity etc. and thermal stress caused due to self-heating of semiconductor products. For these stresses, instantaneous values, maximum values and minimum values must be taken into consideration. In addition, it should be noted that since power devices or IC's including power devices have large self-heating value, the degree of derating of junction temperature affects the reliability significantly.

Because reliability can be affected adversely by improper storage environments and handling methods, please observe the following cautions.

### Cautions for Storage

- Ensure that storage conditions comply with the standard temperature (5 to 35°C) and the standard relative humidity (around 40 to 75%); avoid storage locations that experience extreme changes in temperature or humidity.
- Avoid locations where dust or harmful gases are present and avoid direct sunlight.
- Reinspect for rust on leads and solderability of the products that have been stored for a long time.

### Cautions for Testing and Handling

When tests are carried out during inspection testing and other standard test periods, protect the products from power surges from the testing device, shorts between the product pins, and wrong connections. Ensure all test parameters are within the ratings specified by SanKen for the products.

### Remarks About Using Silicone Grease with a Heatsink

- When silicone grease is used in mounting the products on a heatsink, it shall be applied evenly and thinly. If more silicone grease than required is applied, it may produce excess stress.
- Volatile-type silicone greases may crack after long periods of time, resulting in reduced heat radiation effect. Silicone greases with low consistency (hard grease) may cause cracks in the mold resin when screwing the products to a heatsink. Our recommended silicone greases for heat radiation purposes, which will not cause any adverse effect on the product life, are indicated below:

Type	Suppliers
G746	Shin-Etsu Chemical Co., Ltd.
YG6260	Momentive Performance Materials Inc.
SC102	Dow Corning Toray Co., Ltd.

### Cautions for Mounting to a Heatsink

- When the flatness around the screw hole is insufficient, such as when mounting the products to a heatsink that has an extruded (burred) screw hole, the products can be damaged, even with a lower than recommended screw torque. For mounting the products, the mounting surface flatness should be 0.05mm or less.
- Please select suitable screws for the product shape. Do not use a flat-head machine screw because of the stress to the products. Self-tapping screws are not recommended. When using self-tapping screws, the screw may enter the hole diagonally, not vertically, depending on the conditions of hole before threading or the work situation. That may stress the products and may cause failures.
- Recommended screw torque: 0.588 to 0.785 N·m (6 to 8 kgf·cm).
- For tightening screws, if a tightening tool (such as a driver) hits the products, the package may crack, and internal stress fractures may occur, which shorten the lifetime of the electrical elements and can cause catastrophic failure. Tightening with an air driver makes a substantial impact. In addition, a screw torque higher than the set torque can be applied and the package may be damaged. Therefore, an electric driver is recommended.

When the package is tightened at two or more places, first pre-tighten with a lower torque at all places, then tighten with the specified torque. When using a power driver, torque control is mandatory.

### Soldering

- When soldering the products, please be sure to minimize the working time, within the following limits:
  - 260 ± 5 °C 10 ± 1 s (Flow, 2 times)
  - 380 ± 10 °C 3.5 ± 0.5 s (Soldering iron, 1 time)
- Soldering should be at a distance of at least 1.5 mm from the body of the products.

# STR-X6750B

Sep. 2013

## Electrostatic Discharge

- When handling the products, the operator must be grounded. Grounded wrist straps worn should have at least 1MΩ of resistance from the operator to ground to prevent shock hazard, and it should be placed near the operator.
- Workbenches where the products are handled should be grounded and be provided with conductive table and floor mats.
- When using measuring equipment such as a curve tracer, the equipment should be grounded.
- When soldering the products, the head of soldering irons or the solder bath must be grounded in order to prevent leak voltages generated by them from being applied to the products.
- The products should always be stored and transported in SanKen shipping containers or conductive containers, or be wrapped in aluminum foil.

## IMPORTANT NOTES

- The contents in this document are subject to changes, for improvement and other purposes, without notice. Make sure that this is the latest revision of the document before use.
- Application and operation examples described in this document are quoted for the sole purpose of reference for the use of the products herein and SanKen can assume no responsibility for any infringement of industrial property rights, intellectual property rights or any other rights of SanKen or any third party which may result from its use. Unless otherwise agreed in writing by SanKen, SanKen makes no warranties of any kind, whether express or implied, as to the products, including product merchantability, and fitness for a particular purpose and special environment, and the information, including its accuracy, usefulness, and reliability, included in this document.
- Although SanKen undertakes to enhance the quality and reliability of its products, the occurrence of failure and defect of semiconductor products at a certain rate is inevitable. Users of SanKen products are requested to take, at their own risk, preventative measures including safety design of the equipment or systems against any possible injury, death, fires or damages to the society due to device failure or malfunction.
- SanKen products listed in this document are designed and intended for the use as components in general purpose electronic equipment or apparatus (home appliances, office equipment, telecommunication equipment, measuring equipment, etc.).  
When considering the use of SanKen products in the applications where higher reliability is required (transportation equipment and its control systems, traffic signal control systems or equipment, fire/crime alarm systems, various safety devices, etc.), and whenever long life expectancy is required even in general purpose electronic equipment or apparatus, please contact your nearest SanKen sales representative to discuss, prior to the use of the products herein.  
The use of SanKen products without the written consent of SanKen in the applications where extremely high reliability is required (aerospace equipment, nuclear power control systems, life support systems, etc.) is strictly prohibited.
- When using the products specified herein by either (i) combining other products or materials therewith or (ii) physically, chemically or otherwise processing or treating the products, please duly consider all possible risks that may result from all such uses in advance and proceed therewith at your own responsibility.
- Anti radioactive ray design is not considered for the products listed herein.
- SanKen assumes no responsibility for any troubles, such as dropping products caused during transportation out of SanKen's distribution network.
- The contents in this document must not be transcribed or copied without SanKen's written consent.