

Description

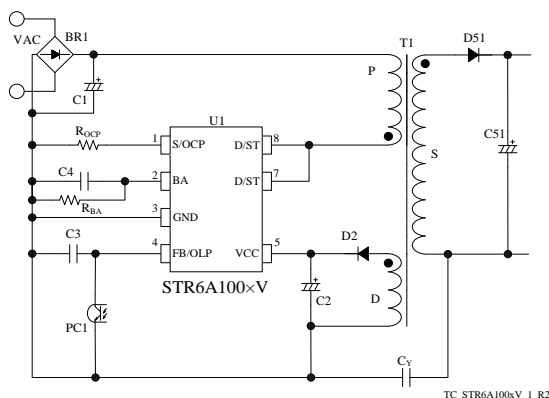
The STR6A100MV/HVD series are power ICs for switching power supplies, incorporating a MOSFET and a current mode PWM controller IC.

The operating mode of the IC automatically changes to green-mode or burst oscillation mode according to load in order to improve the all load efficiency. The product achieves high cost-performance power supply systems with few external components.

Features

- Improving Circuit Efficiency
(Since the step drive control can keep V_{RM} of secondary rectification diodes low, the circuit efficiency can be improved by low V_F)
 - Current Mode Type PWM Control
 - Soft Start Function
 - Adjustable Standby Operating Point
No Load Power Consumption < 15 mW
 - Operation Mode
Fixed Frequency: 65 kHz / 100 kHz
Green-Mode: 25 kHz to 65 kHz / 25 kHz to 100 kHz
Burst Oscillation Mode
 - Random Switching Function
 - Slope Compensation Function
 - Leading Edge Blanking Function
 - Bias Assist Function
 - Protections
 - Two Types of Overcurrent Protection (OCP): Pulse-by-Pulse, built-in compensation circuit to minimize OCP point variation on AC input voltage
Overload Protection with Timer (OLP): Auto-restart
Overvoltage Protection (OVP): Latched shutdown or auto-restart
Thermal Shutdown (TSD): Latched shutdown or auto-restart*
- *With hysteresis

Typical Application



TC_STR6A100xV_1_R2

Package

DIP8



Not to Scale

STR6S100xV Series

- Part Number

STR6A1××HVD
(1) (2)

(1) Frequency
M is 65 kHz.
H is 100 kHz.

(2) OVP and TSD operation
D is auto-restart.
None is latch shutdown.

- Electrical Characteristics

Part Number	MOSFET	
	$V_{DSS}(\text{min.})$	$R_{DS(\text{ON})}(\text{max.})$
$f_{\text{OSC(AVG)}} = 65 \text{ kHz}$		
STR6A153MV	650 V	1.9 Ω
$f_{\text{OSC(AVG)}} = 100 \text{ kHz}$		
STR6A163HVD	700 V	2.3 Ω
STR6A161HVD	700 V	3.95 Ω
STR6A169HVD	700 V	6.0 Ω

- Output Power, P_{OUT}^*

Part Number	Adapter		Open Frame	
	AC230V	AC85 ~265V	AC230V	AC85 ~265V
$f_{\text{OSC(AVG)}} = 65 \text{ kHz}$				
STR6A153MV	26 W	21 W	40 W	28 W
$f_{\text{OSC(AVG)}} = 100 \text{ kHz}$				
STR6A163HVD	25 W	20 W	40 W	28 W
STR6A161HVD	20.5 W	15 W	35 W	23.5 W
STR6A169HVD	17 W	11 W	30 W	19.5 W

* The output power is actual continues power that is measured at 50 °C ambient. The peak output power can be 120 to 140 % of the value stated here. Core size, ON Duty, and thermal design affect the output power. It may be less than the value stated here.

Application

- White Goods
- Office Automation Equipment
- Audio Visual Equipment
- Industrial Equipment
- Other Switched-Mode Power Supply

Contents

Description	1
Contents	2
1. Absolute Maximum Ratings	3
2. Electrical Characteristics	4
3. Performance Curves	6
3.1. Derating Curves	6
3.2. MOSFET Safe Operating Area Curves	7
3.3. Transient Thermal Resistance Curves	8
4. Block Diagram	10
5. Pin Configuration Definitions	10
6. Typical Application	11
7. Physical Dimensions	11
8. Marking Diagram	12
9. Operational Description	13
9.1. Startup Operation	13
9.2. Undervoltage Lockout (UVLO)	13
9.3. Bias Assist Function	13
9.4. Soft Start Function	14
9.5. Constant Output Voltage Control	14
9.6. Leading Edge Blanking Function	15
9.7. Random Switching Function	15
9.8. Step Drive Control	15
9.9. Operation Mode	16
9.10. Overcurrent Protection (OCP)	17
9.10.1. OCP Operation	17
9.10.2. OCP Input Compensation Function	17
9.11. Overload Protection (OLP)	18
9.12. Overvoltage Protection (OVP)	18
9.12.1. Latched Shutdown Type: STR6A153MV	19
9.12.2. Auto-restart Type: STR6A16xHVD	19
9.13. Thermal Shutdown (TSD)	19
9.13.1. Latched Shutdown Type: STR6A153MV	19
9.13.2. Auto-restart Type: STR6A16xHVD	19
10. Design Notes	20
10.1. External Components	20
10.1.1. Input and Output Electrolytic Capacitor	20
10.1.2. S/OCP Pin Peripheral Circuit	20
10.1.3. BA Pin Peripheral Circuit	20
10.1.4. FB/OLP Pin Peripheral Circuit	20
10.1.5. VCC Pin Peripheral Circuit	20
10.1.6. Snubber Circuit	20
10.1.7. Phase Compensation	21
10.1.8. Transformer	21
10.2. PCB Trace Layout and Component Placement	22
11. Pattern Layout Example	23
12. Reference Design of Power Supply	24
12.1. Circuit Specifications	24
12.2. Circuit Schematic	24
12.3. Transformer Specification	24
12.4. Bill of Materials	25
Important Notes	26

STR6A100MV/HVD Series

1. Absolute Maximum Ratings

Current polarities are defined as follows: a current flow going into the IC (sinking) is positive current (+); and a current flow coming out of the IC (sourcing) is negative current (-).

Unless otherwise specified, $T_A = 25\text{ }^\circ\text{C}$, 7 pin = 8 pin.

Parameter	Symbol	Conditions	Pins	Rating	Unit	Remarks
Drain Peak Current ⁽¹⁾	I_{DPEAK}	Single pulse	8 – 1	4.0	A	STR6A153MV STR6A163HVD
				2.5		STR6A161HVD
				1.8		STR6A169HVD
Maximum Drain Current	I_{DMAX}		8 – 1	4.0	A	STR6A153MV STR6A163HVD
				2.5		STR6A161HVD
				1.8		STR6A169HVD
Avalanche Energy ⁽²⁾⁽³⁾	E_{AS}	$I_{LPEAK} = 2.2\text{ A}$	8 – 1	57	mJ	STR6A153MV
		$I_{LPEAK} = 2.15\text{ A}$		53		STR6A163HVD
		$I_{LPEAK} = 1.78\text{ A}$		36		STR6A161HVD
		$I_{LPEAK} = 1.8\text{ A}$		24		STR6A169HVD
S/OCP Pin Voltage	$V_{S/OCP}$		1 – 3	-2 to 6	V	
BA Pin Voltage	V_{BA}		2 – 3	-0.3 to 7.5	V	
BA Pin Sink Current	I_{BA}		2 – 3	1.0	mA	
FB/OLP Pin Voltage	V_{FB}		4 – 3	-0.3 to 14	V	
FB/OLP Pin Sink Current	I_{FB}		4 – 3	1.0	mA	
VCC Pin Voltage	V_{CC}		5 – 3	-0.3 to 32	V	
D/ST Pin Voltage	$V_{D/ST}$		8 – 3	-1 to V_{DSS}	V	
MOSFET Power Dissipation ⁽⁴⁾	P_{D1}	⁽⁵⁾	8 – 1	1.35	W	
Control Part Power Dissipation	P_{D2}		5 – 3	1.2	W	
Operating Ambient Temperature	T_{OP}		—	-40 to 125	$^\circ\text{C}$	
Storage Temperature	T_{stg}		—	-40 to 125	$^\circ\text{C}$	
Junction Temperature	T_j		—	150	$^\circ\text{C}$	

⁽¹⁾ See Section 3.2, MOSFET Safe Operating Area Curves.

⁽²⁾ See Figure 3-2. Avalanche Energy Derating Coefficient Curve

⁽³⁾ Single pulse, $V_{DD} = 99\text{ V}$, $L = 20\text{ mH}$.

⁽⁴⁾ See Section Figure 3-3 T_A - P_{D1} Curve.

⁽⁵⁾ When embedding this hybrid IC onto the printed circuit board (copper area in a $15\text{ mm} \times 15\text{ mm}$).

STR6A100MV/HVD Series

2. Electrical Characteristics

Current polarities are defined as follows: a current flow going into the IC (sinking) is positive current (+); and a current flow coming out of the IC (sourcing) is negative current (-).

Unless otherwise specified, $T_A = 25\text{ }^\circ\text{C}$, $V_{CC} = 18\text{ V}$, 7 pin = 8 pin.

Parameter	Symbol	Conditions	Pins	Min.	Typ.	Max.	Unit	Remarks
Power Supply Startup Operation								
Operation Start Voltage	$V_{CC(ON)}$		5 - 3	13.8	15.0	16.2	V	
Operation Stop Voltage*	$V_{CC(OFF)}$		5 - 3	7.6	8.5	9.2	V	
Circuit Current in Operation	$I_{CC(ON)}$	$V_{CC} = 12\text{ V}$	5 - 3	—	1.5	3.0	mA	
Startup Circuit Operation Voltage	$V_{ST(ON)}$		8 - 3	40	47	55	V	
Startup Current	$I_{CC(ST)}$	$V_{CC} = 13.5\text{ V}$	5 - 3	-4.05	-2.50	-1.08	mA	
Startup Current Biasing Threshold Voltage*	$V_{CC(BIAS)}$	$I_{CC} = -500\text{ }\mu\text{A}$	5 - 3	8.0	9.6	10.5	V	
Normal Operation								
Average Switching Frequency	$f_{OSC(AVG)}$		8 - 3	58	65	72	kHz	STR6A153MV
				90	100	110		STR6A16xHVD
Switching Frequency Modulation Deviation	Δf		8 - 3	—	5.4	—	kHz	STR6A153MV
				—	8.4	—		STR6A16xHVD
Maximum Feedback Current	$I_{FB(MAX)}$	$V_{CC} = 12\text{ V}$	4 - 3	-170	-130	-85	μA	
Minimum Feedback Current	$I_{FB(MIN)}$		4 - 3	-21	-13	-5	μA	
Light Load Operation								
FB/OLP Pin Starting Voltage of Frequency Decreasing	$V_{FB(FDS)}$	$f_{OSC(AVG)} \times 0.9$	1 - 8	2.64	3.30	3.96	V	STR6A153MV
				2.88	3.60	4.32		STR6A16xHVD
FB/OLP Pin Ending Voltage of Frequency Decreasing	$V_{FB(FDE)}$	$f_{OSC(MIN)} \times 1.1$	1 - 8	2.40	3.00	3.60	V	STR6A153MV
				2.48	3.10	3.72		STR6A16xHVD
Minimum Switching Frequency	$f_{OSC(MIN)}$		5 - 8	18	25	32	kHz	
Standby Operation								
FB/OLP Pin Oscillation Stop Threshold Voltage 1	$V_{FB(OFF1)}$	R_{BA} : Short	4 - 3	1.17	1.28	1.39	V	STR6A153MV
				1.24	1.35	1.46		STR6A16xHVD
FB/OLP Pin Oscillation Stop Threshold Voltage 2	$V_{FB(OFF2)}$	R_{BA} : Open	4 - 3	1.50	1.63	1.76	V	STR6A153MV
				1.65	1.79	1.93		STR6A16xHVD
FB/OLP Pin Oscillation Stop Threshold Voltage 3	$V_{FB(OFF3)}$	R_{BA} : 330 k Ω	4 - 3	1.78	1.92	2.06	V	STR6A153MV
				2.01	2.16	2.31		STR6A16xHVD
FB/OLP Pin Oscillation Stop Threshold Voltage 4	$V_{FB(OFF4)}$	R_{BA} : 68 k Ω	4 - 3	2.02	2.17	2.32	V	STR6A153MV
				2.29	2.45	2.61		STR6A16xHVD

* $V_{CC(BIAS)} > V_{CC(OFF)}$ always.

STR6A100MV/HVD Series

Parameter	Symbol	Conditions	Pins	Min.	Typ.	Max.	Unit	Remarks
Protection								
Maximum ON Duty	D_{MAX}		8 – 3	70	75	80	%	
Leading Edge Blanking Time	t_{BW}		—	—	330	—	ns	
OCP Compensation Coefficient	DPC		—	—	17.3	—	mV/ μ s	STR6A153MV
				—	25.8	—		STR6A16xHVD
OCP Compensation ON Duty	D_{DPC}		—	—	36	—	%	
OCP Threshold Voltage at Zero ON Duty	$V_{OCP(L)}$		1 – 3	0.735	0.795	0.855	V	
OCP Threshold Voltage at 36% ON Duty	$V_{OCP(H)}$		1 – 3	0.843	0.888	0.933	V	
OCP Threshold Voltage in Leading Edge Blanking Time	$V_{OCP(LEB)}$		1 – 3	—	1.69	—	V	
OLP Threshold Voltage	$V_{FB(OLP)}$		4 – 3	6.8	7.3	7.8	V	
OLP Delay Time	t_{OLP}		4 – 3	55	75	90	ms	
OLP Operation Current	$I_{CC(OLP)}$		5 – 3	—	260	—	μ A	
FB/OLP Pin Clamp Voltage	$V_{FB(CLAMP)}$		4 – 3	10.5	11.8	13.5	V	
OVP Threshold Voltage	$V_{CC(OVP)}$		5 – 3	27.0	29.1	31.2	V	
Thermal Shutdown Operating Temperature	$T_{j(TSD)}$		—	127	145	—	$^{\circ}$ C	
Thermal Shutdown Temperature Hysteresis	$T_{j(TSD)HYS}$		—	—	80	—	$^{\circ}$ C	STR6A16xHVD
MOSFET								
Drain-to-Source Breakdown Voltage	V_{DSS}	$I_{DS} = 300 \mu$ A	8 – 1	650	—	—	V	STR6A153MV
				700	—	—		STR6A16xHVD
Drain Leakage Current	I_{DSS}	$V_{DS} = V_{DSS}$	8 – 1	—	—	300	μ A	
On-Resistance	$R_{DS(ON)}$	$I_{DS} = 0.4$ A	8 – 1	—	—	1.9	Ω	STR6A153MV
				—	—	2.3		STR6A163HVD
				—	—	3.95		STR6A161HVD
				—	—	6.0		STR6A169HVD
Switching Time	t_f		8 – 1	—	—	250	ns	
Thermal Resistance								
Junction to Case	θ_{j-C}		—	—	—	22	$^{\circ}$ C/W	

3. Performance Curves

3.1. Derating Curves

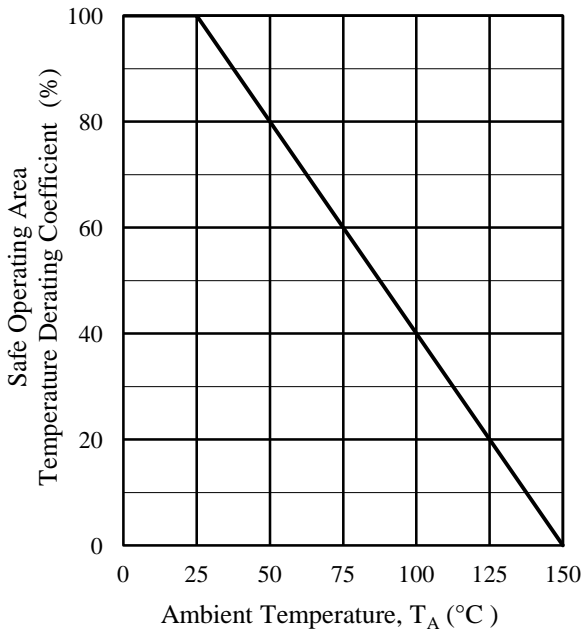


Figure 3-1. SOA Temperature Derating Coefficient Curve

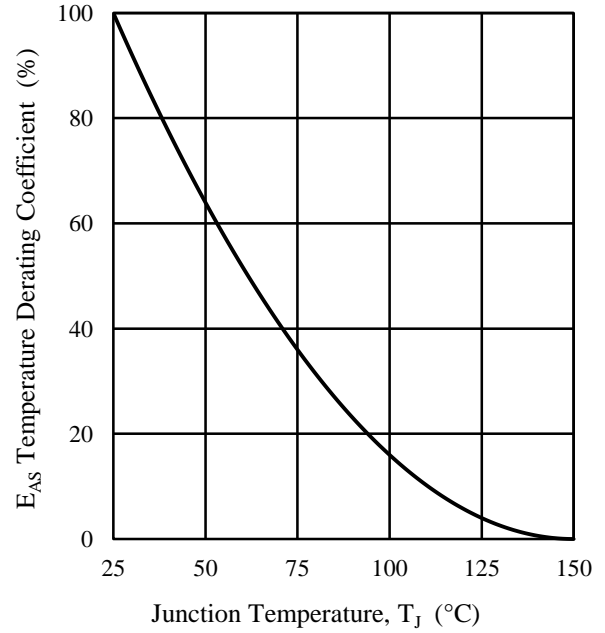


Figure 3-2. Avalanche Energy Derating Coefficient Curve

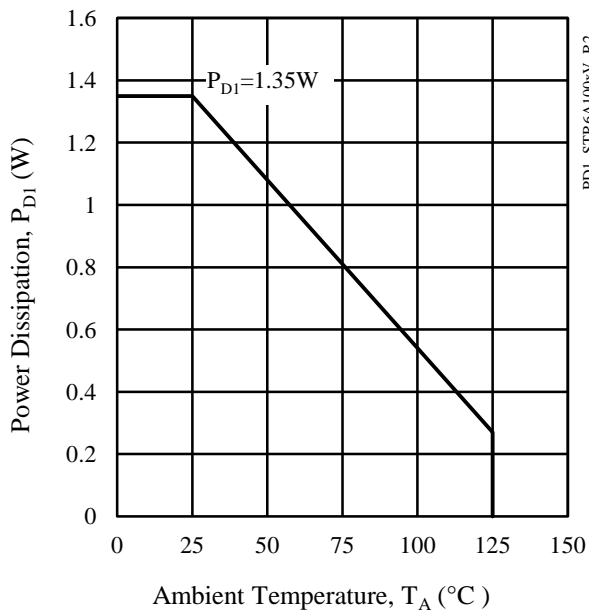


Figure 3-3. Ambient Temperature versus Power Dissipation Curve

3.2. MOSFET Safe Operating Area Curves

When the IC is used, the safe operating area curve should be multiplied by the temperature derating coefficient derived from Figure 3-1.

The broken line in the safe operating area curve is the drain current curve limited by on-resistance.

Unless otherwise specified, $T_A = 25\text{ }^\circ\text{C}$ and single pulse input.

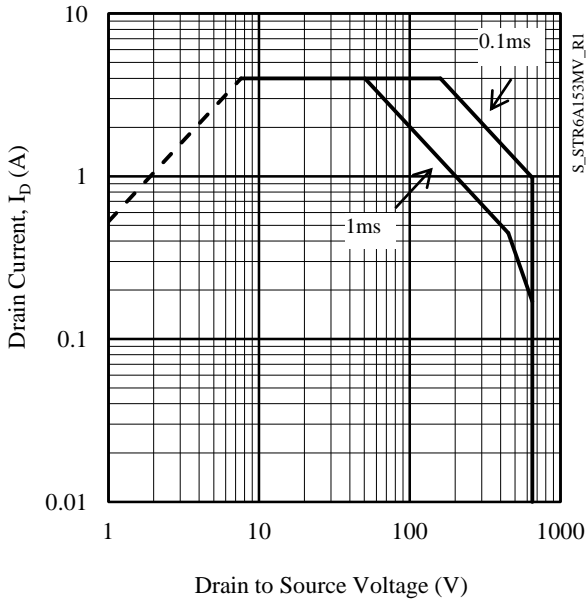


Figure 3-4. STR6A153MV SOA Curve

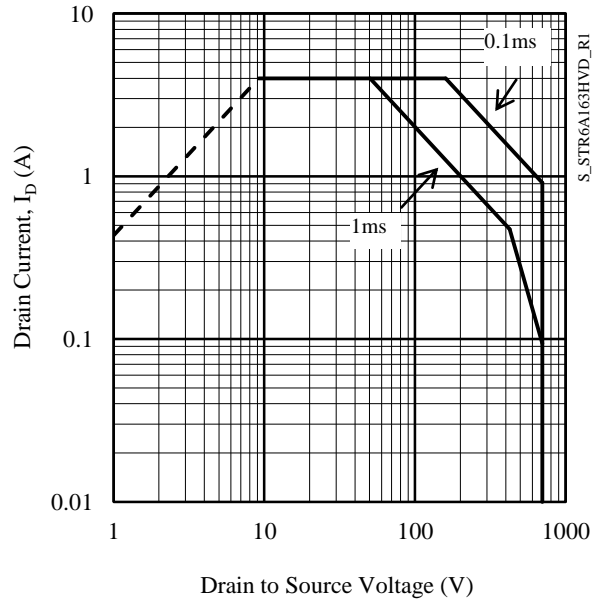


Figure 3-5. STR6A163HVD SOA Curve

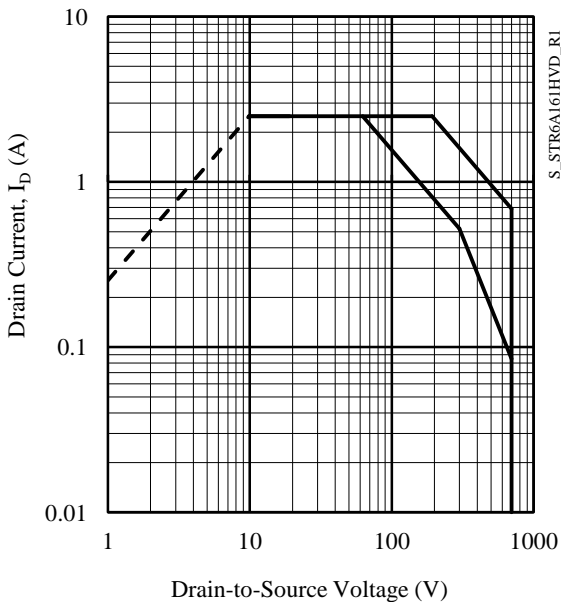


Figure 3-6. STR6A161HVD SOA Curve

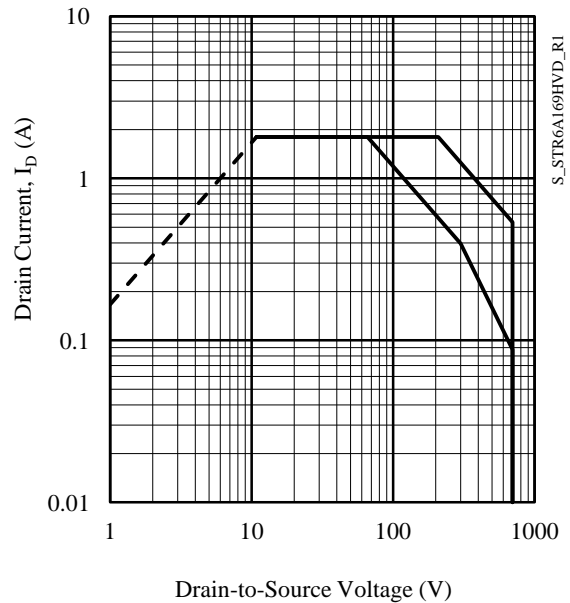


Figure 3-7. STR6A169HVD SOA Curve

3.3. Transient Thermal Resistance Curves

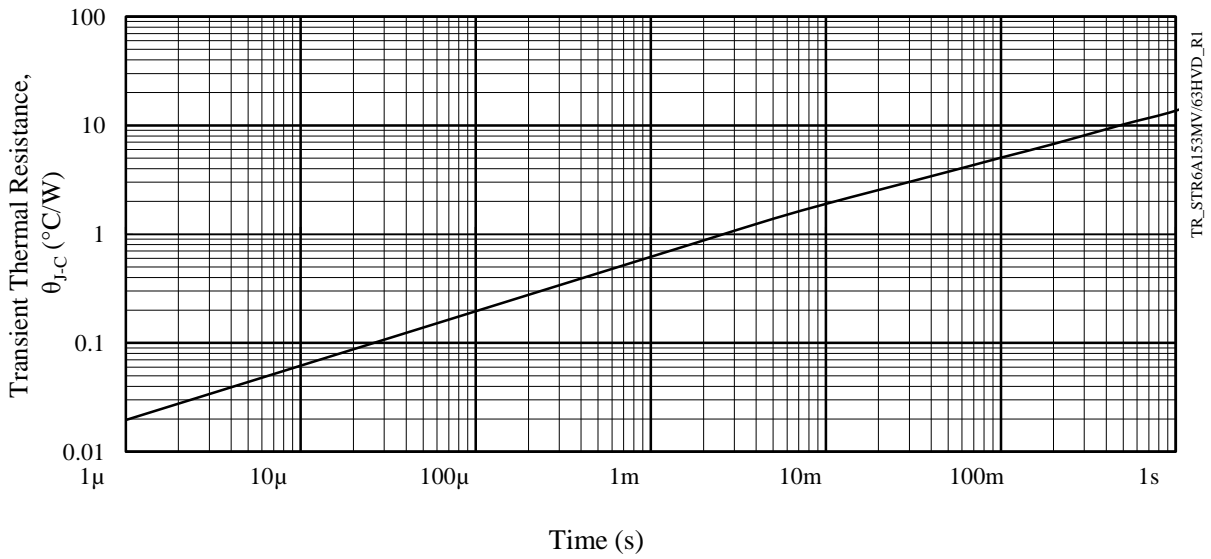


Figure 3-8. STR6A153MV and STR6A163HVD Transient Thermal Resistance Curve

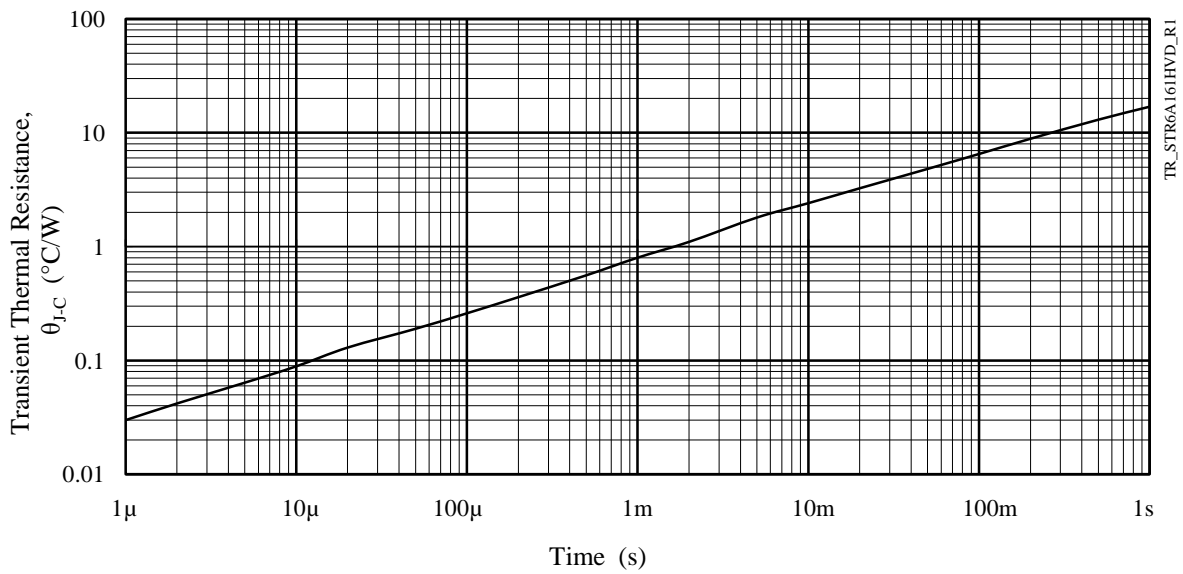


Figure 3-9. STR6A161HVD Transient Thermal Resistance Curve

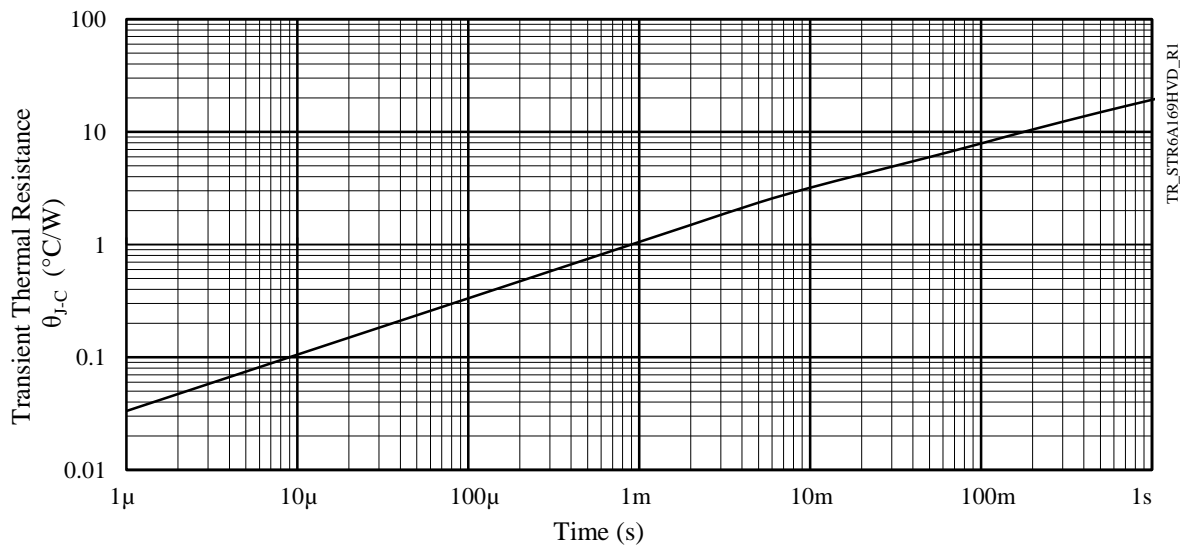
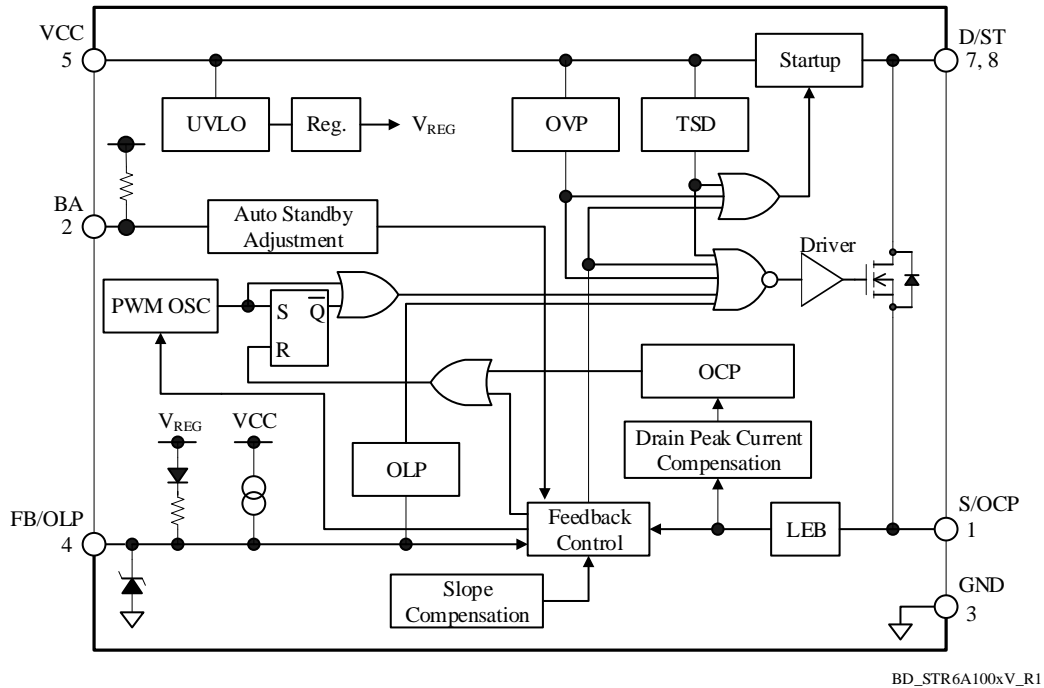
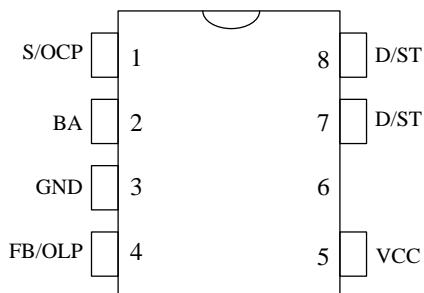


Figure 3-10. STR6A169HVD Transient Thermal Resistance Curve

4. Block Diagram



5. Pin Configuration Definitions

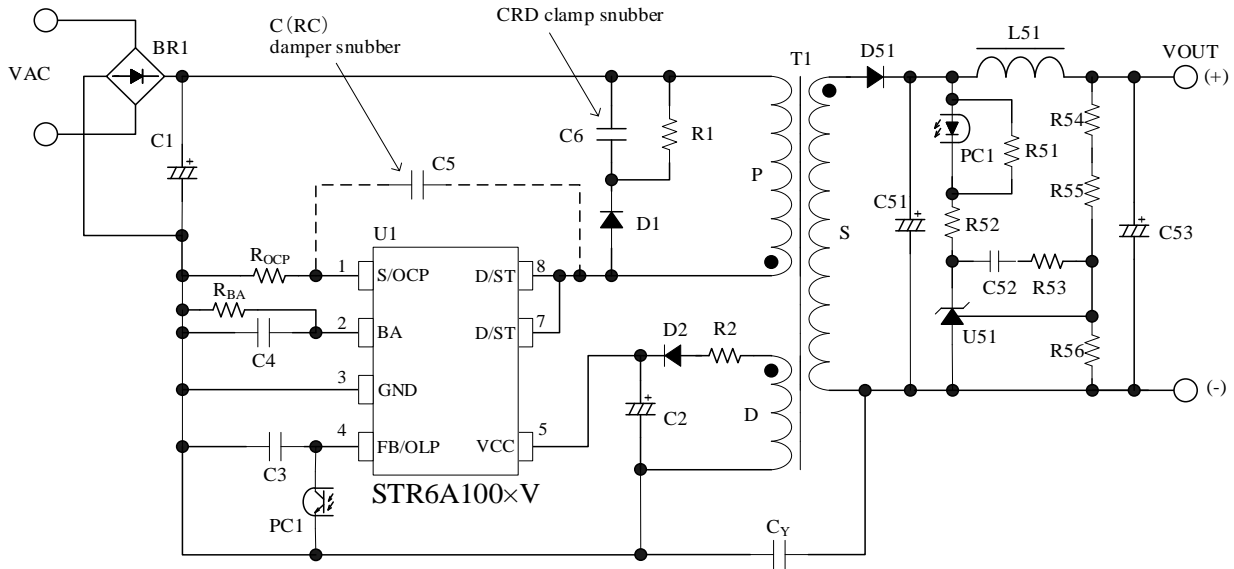


Pin	Name	Descriptions
1	S/OCP	MOSFET source and Overcurrent Protection (OCP) signal input
2	BA	Input of selectable standby operation point signal
3	GND	Ground
4	FB/OLP	Constant voltage control signal input and Overload Protection (OLP) signal input
5	VCC	Power supply voltage input for control part and Overvoltage Protection (OVP) signal input
6	-	(Pin removed)
7	D/ST	MOSFET drain and startup current input
8		

6. Typical Application

The PCB traces for D/ST pins should be as wide as possible, in order to improve thermal release capability.

In applications having a power supply specified such that D/ST pin has large transient surge voltages, a clamp snubber circuit of a capacitor-resistor-diode (CRD) combination should be added on the primary winding P, or a damper snubber circuit of a capacitor (C) or a resistor-capacitor (RC) combination should be added between the D/ST pin and the S/OCP pin.

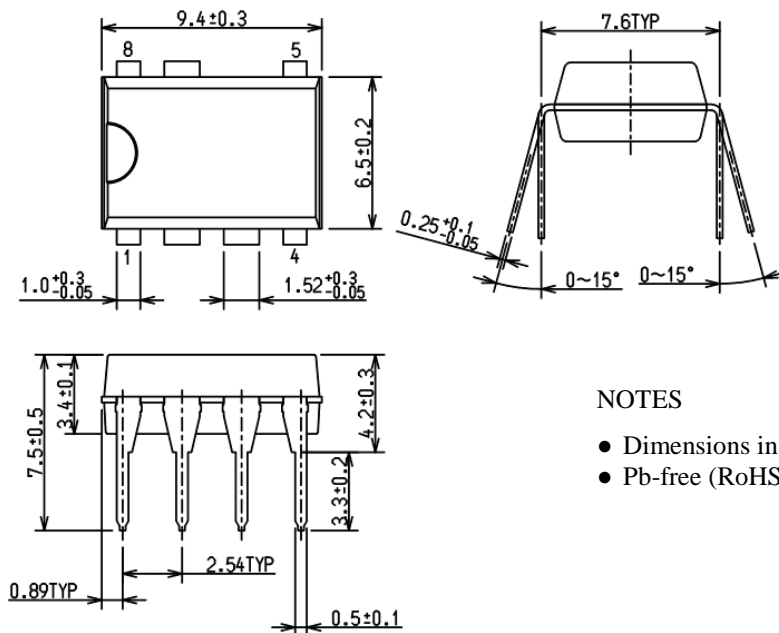


TC_STR6A100xV_2_R1

Figure 6-1. Typical Application

7. Physical Dimensions

- DIP8



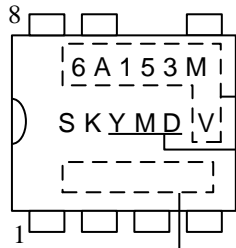
NOTES

- Dimensions in millimeters
- Pb-free (RoHS compliant)

STR6A100MV/HVD Series

8. Marking Diagram

STR6A153MV



Part Number

Lot Number:

Y is the last digit of the year of manufacture (0 to 9)

M is the month of the year (1 to 9, O, N or D)

D is a period of days,

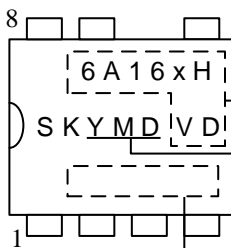
1: the first 10 days of the month (1st to 10th)

2: the second 10 days of the month (11th to 20th)

3: the last 10-11 days of the month (21st to 31st)

Control Number

STR6A163HVD



Part Number (6A161HVD, 6A163HVD, 6A169HVD)

Lot Number:

Y is the last digit of the year of manufacture (0 to 9)

M is the month of the year (1 to 9, O, N or D)

D is a period of days,

1: the first 10 days of the month (1st to 10th)

2: the second 10 days of the month (11th to 20th)

3: the last 10-11 days of the month (21st to 31st)

Control Number

9. Operational Description

All of the parameter values used in these descriptions are typical values, unless they are specified as minimum or maximum. Current polarities are defined as follows: a current flow going into the IC (sinking) is positive current (+); and a current flow coming out of the IC (sourcing) is negative current (-).

9.1. Startup Operation

Figure 9-1 shows the circuit around IC.

The IC incorporates the startup circuit. The circuit is connected to D/ST pin. When D/ST pin voltage reaches to Startup Circuit Operation Voltage $V_{ST(ON)} = 47\text{ V}$, the startup circuit starts operation.

During the startup process, the constant current, $I_{CC(ST)} = -2.50\text{ mA}$, charges C2 at VCC pin. When VCC pin voltage increases to $V_{CC(ON)} = 15.0\text{ V}$, the control circuit starts operation. During the IC operation, the voltage rectified the auxiliary winding voltage, V_D , of Figure 9-1 becomes a power source to the VCC pin. After switching operation begins, the startup circuit turns off automatically so that its current consumption becomes zero.

$$V_{CC(BIAS)(max.)} < V_{CC} < V_{CC(OVP)(min.)}$$

$$\Rightarrow 10.5\text{ (V)} < V_{CC} < 27.0\text{ (V)} \quad (1)$$

The startup time of IC is determined by C2 capacitor value. The approximate startup time t_{START} (shown in Figure 9-2) is calculated as follows:

$$t_{START} = C2 \times \frac{V_{CC(ON)} - V_{CC(INT)}}{|I_{CC(ST)}|} \quad (2)$$

where,
 t_{START} is startup time of IC (s), and
 $V_{CC(INT)}$ is initial voltage on VCC pin (V).

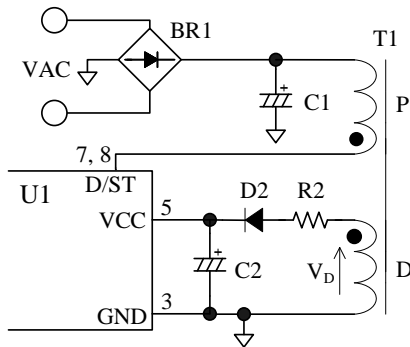


Figure 9-1. VCC pin Peripheral Circuit

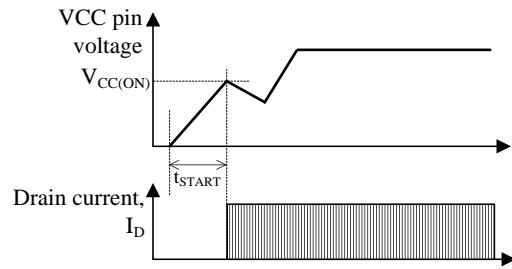


Figure 9-2. Startup Operation

9.2. Undervoltage Lockout (UVLO)

Figure 9-3 shows the relationship of VCC pin voltage and circuit current I_{CC} . When VCC pin voltage decreases to $V_{CC(OFF)} = 8.5\text{ V}$, the control circuit stops operation by Undervoltage Lockout (UVLO) circuit, and reverts to the state before startup.

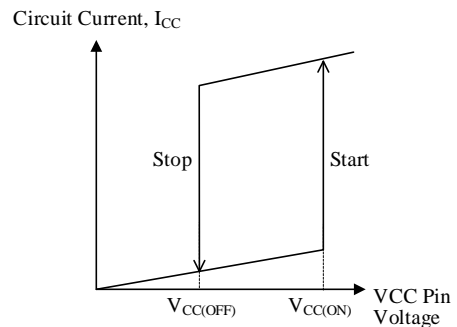


Figure 9-3. Relationship between VCC Pin Voltage and I_{CC}

9.3. Bias Assist Function

By the Bias Assist Function, the startup failure is prevented. The Bias Assist Function is activated, in both of following condition:

- the FB pin voltage is FB/OLP Pin Oscillation Stop Threshold Voltage, $V_{FB(OFF)}$ or less
- and the VCC voltage decreases to the Startup Current Biasing Threshold Voltage, $V_{CC(BIAS)} = 9.6\text{ V}$.

When the Bias Assist Function is activated, the VCC pin voltage is kept almost constant voltage, $V_{CC(BIAS)}$ by providing the startup current, $I_{CC(ST)}$, from the startup circuit. Thus, the VCC pin voltage is kept more than $V_{CC(OFF)}$.

Since the startup failure is prevented by the Bias Assist Function, the value of C2 connected to VCC pin can be small. Thus, the startup time and the response time of the OVP become shorter.

The operation of the Bias Assist Function in startup is as follows. It is necessary to check and adjust the startup process based on actual operation in the application, so that poor starting conditions may be avoided.

Figure 9-4 shows VCC pin voltage behavior during the startup period.

After VCC pin voltage increases to $V_{CC(ON)} = 15.0$ V at startup, the IC starts the operation. Then circuit current increases and VCC pin voltage decreases. At the same time, the auxiliary winding voltage V_D increases in proportion to output voltage. These are all balanced to produce VCC pin voltage.

When VCC pin voltage is decrease to $V_{CC(OFF)} = 8.5$ V in startup operation, the IC stops switching operation and a startup failure occurs.

When the output load is light at startup, the output voltage may become more than the target voltage due to the delay of feedback circuit. In this case, the FB pin voltage is decreased by the feedback control. When the FB pin voltage decreases to $V_{FB(OFF)}$ or less, the IC stops switching operation and VCC pin voltage decreases. When VCC pin voltage decreases to $V_{CC(BIAS)}$, the Bias Assist Function is activated and the startup failure is prevented.

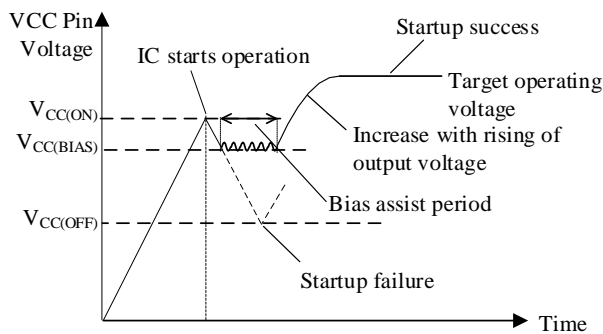


Figure 9-4. VCC pin Voltage during Startup Period

9.4. Soft Start Function

Figure 9-5 shows the behavior of VCC pin voltage and drain current during the startup period.

The IC activates the soft start circuitry during the startup period. Soft start time is fixed to around 8.75 ms. during the soft start period, over current threshold is increased step-wisely (7 steps). This function reduces the voltage and the current stress of MOSFET and secondary side rectifier diode.

Since the Leading Edge Blanking Function (see Section 9.6) is deactivated during the soft start period, there is the case that ON time is less than the leading edge blanking time, $t_{BW} = 330$ ns.

After the soft start period, D/ST pin current, I_D , is limited by the Overcurrent Protection (OCP), until the output voltage increases to the target operating voltage. This period is given as t_{LIM} .

In case t_{LIM} is longer than the OLP Delay Time, t_{OLP} , the output power is limited by the Overload Protection (OLP).

Thus, it is necessary to adjust the value of output capacitor and the turn ratio of auxiliary winding D so that the t_{LIM} is less than $t_{OLP} = 55$ ms (min.).

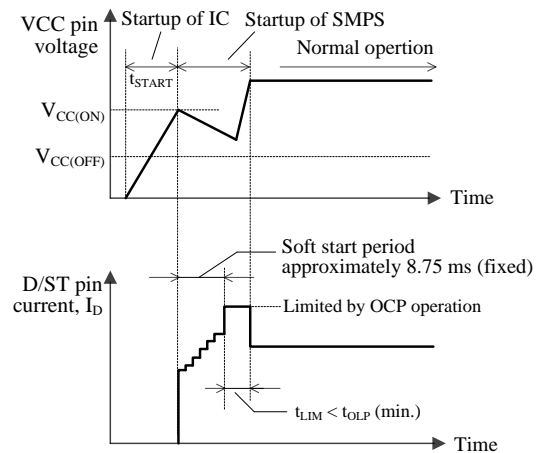


Figure 9-5. VCC and I_D Waveforms during Startup

9.5. Constant Output Voltage Control

The IC achieves the constant voltage control of the power supply output by using the current-mode control method, which enhances the response speed and provides the stable operation.

The FB/OLP pin voltage is internally added the slope compensation at the feedback control (see Section 0.Block Diagram), and the target voltage, V_{SC} , is generated. The IC compares the voltage, V_{ROCP} , of a current detection resistor with the target voltage, V_{SC} , by the internal FB comparator, and controls the peak value of V_{ROCP} so that it gets close to V_{SC} , as shown in Figure 9-6 and Figure 9-7.

- **Light Load Conditions**
When load conditions become lighter, the output voltage, V_{OUT} , increases. Thus, the feedback current from the error amplifier on the secondary-side also increases. The feedback current is sunk at the FB/OLP pin, transferred through a photo-coupler, PC1, and the FB/OLP pin voltage decreases. Thus, V_{SC} decreases, and the peak value of V_{ROCP} is controlled to be low, and the peak drain current of I_D decreases. This control prevents the output voltage from increasing.
- **Heavy Load Conditions**
When load conditions become greater, the IC performs the inverse operation to that described above. Thus, V_{SC} increases and the peak drain current of I_D increases.

This control prevents the output voltage from decreasing.

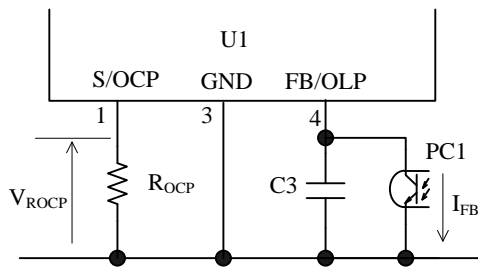


Figure 9-6. FB/OLP Pin Peripheral Circuit

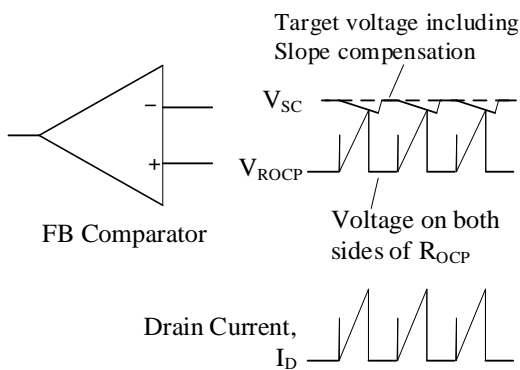


Figure 9-7. Drain Current, I_D , and FB Comparator Operation in Steady Operation

In the current mode control method, when the drain current waveform becomes trapezoidal in continuous operating mode, even if the peak current level set by the target voltage is constant, the on-time fluctuates based on the initial value of the drain current.

This results in the on-time fluctuating in multiples of the fundamental operating frequency as shown in Figure 9-8. This is called the subharmonics phenomenon.

In order to avoid this, the IC incorporates the Slope Compensation Function. Because the target voltage is added a down-slope compensation signal, which reduces the peak drain current as the on-duty gets wider relative to the FB/OLP pin signal to compensate V_{SC} , the subharmonics phenomenon is suppressed.

Even if subharmonic oscillations occur when the IC has some excess supply being out of feedback control, such as during startup and load shorted, this does not affect performance of normal operation.

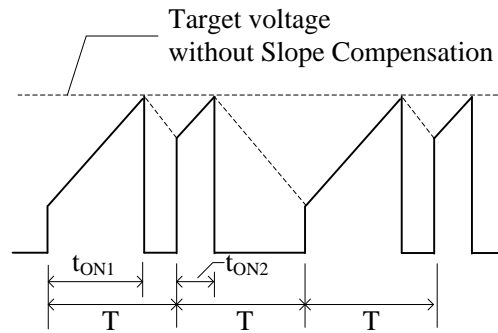


Figure 9-8. Drain Current, I_D , Waveform in Subharmonic Oscillation

9.6. Leading Edge Blanking Function

The constant voltage control of output of the IC uses the peak-current-mode control method.

In peak-current-mode control method, there is a case that the power MOSFET turns off due to unexpected response of FB comparator or Overcurrent Protection circuit (OCP) to the steep surge current in turning on a power MOSFET.

In order to prevent this response to the surge voltage in turning-on the power MOSFET, the Leading Edge Blanking, $t_{BW} = 330 \text{ ns}$ is built-in. During t_{BW} , the OCP threshold voltage becomes $V_{OCP(LEB)} = 1.69 \text{ V}$ which is higher than the normal OCP threshold voltage (see Section 9.10).

9.7. Random Switching Function

The IC modulates its switching frequency randomly by superposing the modulating frequency on $f_{OSC(AVG)}$ in normal operation. This function reduces the conduction noise compared to others without this function, and simplifies noise filtering of the input lines of power supply.

9.8. Step Drive Control

Figure 9-9 shows a flyback control circuit. The both end of secondary rectification diode (D51) is generated surge voltage when a power MOSFET turns on. Thus, V_{RM} of D51 should be set in consideration of the surge.

The IC optimally controls the gate drive of the internal power MOSFET (Step drive control) depending on the load condition. The step drive control reduces the surge voltage of D51 when the power MOSFET turns on (see Figure 9-10). Since V_{RM} of D51 can be set to lower value than usual, the price reduction and the increasing circuit efficiency are achieved by using a diode of low V_F .

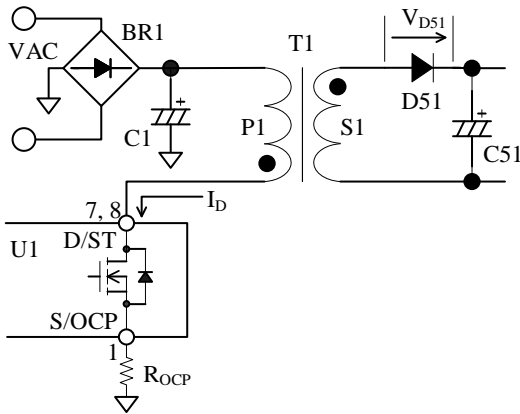


Figure 9-9. Flyback Control Circuit

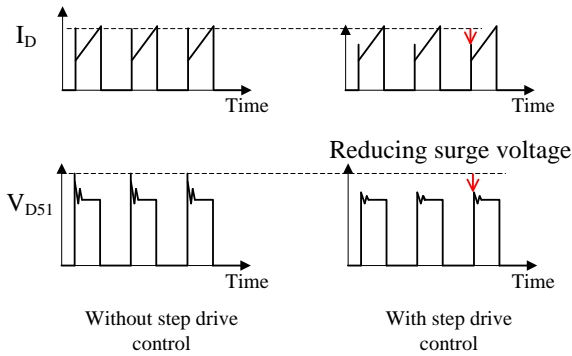


Figure 9-10. I_D and V_{D51} Waveforms

9.9. Operation Mode

The operation of the IC automatically changes to green mode or burst oscillation mode in order to reduce the switching loss (see Figure 9-11).

When the output load becomes lower, FB/OLP pin voltage decreases. When FB/OLP pin voltage decreases to $V_{FB(FDS)}$ or less, the green mode is activated and the oscillation frequency starts decreasing. When FB/OLP pin voltage becomes $V_{FB(FDE)}$, the oscillation frequency stops decreasing (see Table 9-1). At this point, the oscillation frequency becomes $f_{OSC(MIN)} = 25$ kHz.

When FB/OLP pin voltage further decreases and becomes the standby operation point, the burst oscillation mode is activated. As shown in Figure 9-12, the burst oscillation mode consists of switching period and non-switching period. The oscillation frequency during switching period is the Minimum Frequency, $f_{OSC(MIN)} = 25$ kHz.

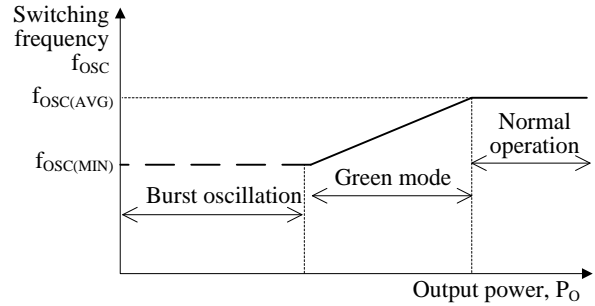


Figure 9-11. Relationship between P_O and f_{OSC}

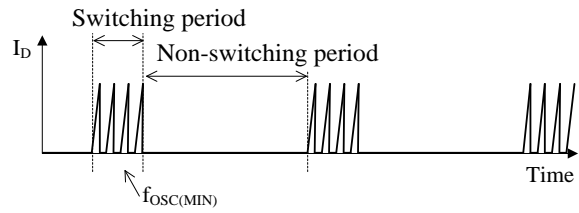


Figure 9-12. Switching Waveform at Burst Oscillation

Table 9-1. FB/OLP Pin Starting and Ending Voltage of Frequency Decreasing

	STR6A153MV ($f_{OSC} = 65$ kHz)	STR6A16xHVD ($f_{OSC} = 100$ kHz)
$V_{FB(FDS)}$ (typ.)	3.30 V	3.60 V
$V_{FB(FDE)}$ (typ.)	3.00 V	3.10 V

The standby operation point can be adjusted by the external resistor, R_{BA} (see Figure 9-13) according to the power supply specification.

Table 9-2 shows the load ratio of the standby operation point, where the load ratio at the Overcurrent Protection operating point is 100 %.

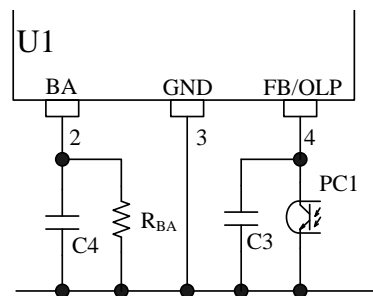


Figure 9-13. BA Pin Peripheral Circuit

STR6A100MV/HVD Series

Table 9-2. Standby Operation Point

R_{BA}	FB/OLP Pin Oscillation Stop Threshold Voltage		Output Power Ratio of the Standby Operation Point
	STR6A153MV ($f_{OSC}=65$ kHz)	STR6A16xHVD ($f_{OSC}=100$ kHz)	
Short	1.28 V	1.35 V	About 3 to 6 %
Open	1.63 V	1.79 V	About 4 to 8 %
330 k Ω	1.92 V	2.16 V	About 6 to 11 %
68 k Ω	2.17 V	2.45 V	About 8 to 13 %

Generally, to improve efficiency under light load conditions, the frequency of the burst mode becomes just a few kilohertz. Because the IC suppresses the peak drain current well during burst mode, audible noises can be reduced.

The OCP detection usually has some detection delay time. The higher the AC input voltage is, the steeper the slope of I_D is. Thus, the peak drain current at the burst oscillation mode becomes high at a high AC input voltage.

It is necessary to consider that the burst frequency becomes low at a high AC input.

If the VCC pin voltage decreases to $V_{CC(BIAS)} = 9.6$ V during the transition to the burst mode, the Bias Assist function is activated and stabilizes the standby mode, because the Startup Current, $I_{CC(ST)}$, is provided to the VCC pin so that the VCC pin voltage does not decrease to $V_{CC(OFF)}$. However, if the Bias Assist Function is always activated during steady-state operation including standby mode, the power loss increases. Therefore, the VCC pin voltage should be more than $V_{CC(BIAS)}$, for example, by adjusting the turns ratio of the auxiliary winding and secondary-side winding and/or reducing the value of R2 (See Section 10.1).

9.10. Overcurrent Protection (OCP)

9.10.1. OCP Operation

Overcurrent Protection (OCP) detects each drain peak current level of a power MOSFET on pulse-by-pulse basis, and limits the output power when the current level reaches to OCP threshold voltage.

During Leading Edge Blanking Time, the OCP threshold voltage becomes $V_{OCP(LEB)} = 1.69$ V which is higher than the normal OCP threshold voltage as shown in Figure 9-14. Changing to this threshold voltage prevents the IC from responding to the surge voltage in turning-on the power MOSFET. This function operates as protection at the condition such as output windings shorted or unusual withstand voltage of secondary-side rectifier diodes.

When power MOSFET turns on, the surge voltage

width of S/OCP pin should be less than t_{BW} , as shown in Figure 9-14. In order to prevent surge voltage, pay extra attention to R_{OCP} trace layout (See Section 10.2).

In addition, if a C (RC) damper snubber of Figure 9-15 is used, reduce the capacitor value of damper snubber.

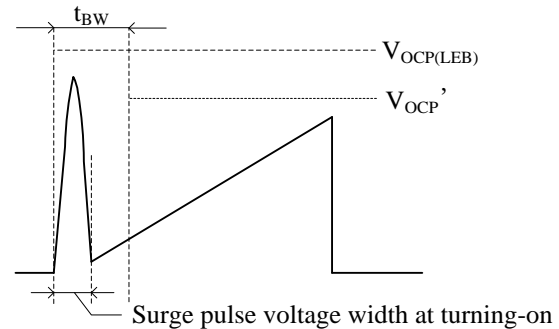


Figure 9-14. S/OCP Pin Voltage

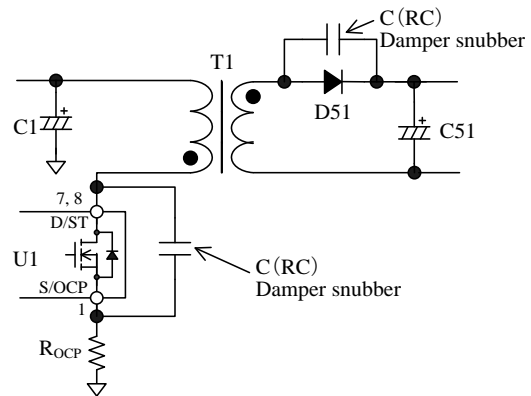


Figure 9-15. Damper Snubber

9.10.2. OCP Input Compensation Function

ICs with PWM control usually have some propagation delay time. The steeper the slope of the actual drain current at a high AC input voltage is, the larger the detection voltage of actual drain peak current is, compared to V_{OCP} . Thus, the peak current has some variation depending on the AC input voltage in OCP state.

In order to reduce the variation of peak current in OCP state, the IC incorporates a built-in Input Compensation Function.

The Input Compensation Function is the function of correction of OCP threshold voltage depending with AC input voltage, as shown in Figure 9-16.

When AC input voltage is low (ON Duty is broad), the OCP threshold voltage is controlled to become high. The difference of peak drain current become small compared with the case where the AC input voltage is high (ON Duty is narrow).

The compensation signal depends on ON Duty. The relation between the ON Duty and the OCP threshold voltage after compensation V_{OCP}' is expressed as Equation (3). When ON Duty is broader than 36 %, the V_{OCP}' becomes a constant value $V_{OCP(H)} = 0.888 \text{ V}$

$$V_{OCP}' = V_{OCP(L)} + DPC \times ONTime$$

$$= V_{OCP(L)} + DPC \times \frac{ONDuty}{f_{OSC(AVG)}} \quad (3)$$

where,
 $V_{OCP(L)}$ is OCP Threshold Voltage at Zero ON Duty (V),
 DPC is OCP Compensation Coefficient (mV/ μ s),
 ONTime is on-time of power MOSFET (μ s),
 ONDuty is on duty of power MOSFET (%), and
 $f_{OSC(AVG)}$ is Average PWM Switching Frequency (kHz).

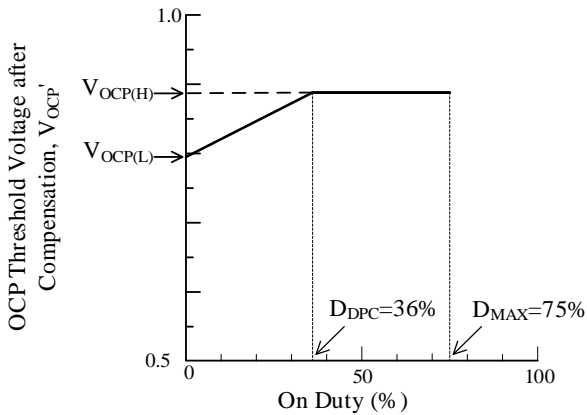


Figure 9-16. Relationship between On Duty and Drain Current Limit after Compensation

9.11. Overload Protection (OLP)

Figure 9-17 shows the FB/OLP pin peripheral circuit, and Figure 9-18 shows each waveform for OLP operation.

When the peak drain current of I_D is limited by OCP operation, the output voltage, V_{OUT} , decreases and the feedback current from the secondary photo-coupler becomes zero. Thus, the feedback current, I_{FB} , charges C3 connected to the FB/OLP pin and the FB/OLP pin voltage increases. When the FB/OLP pin voltage increases to $V_{FB(OLP)} = 7.3 \text{ V}$ or more for the OLP delay time, $t_{OLP} = 75 \text{ ms}$ or more, the OLP is activated, the IC stops switching operation.

During OLP operation, the intermittent operation by VCC pin voltage repeats and reduces the stress of parts such as the power MOSFET and secondary side rectifier diode.

When the OLP is activated, the IC stops switching operation, and the VCC pin voltage decreases.

During OLP operation, the Bias Assist Function is disabled. When the VCC pin voltage decreases to $V_{CC(OFF)SKP}$ (about 9 V), the startup current flows, and the VCC pin voltage increases. When the VCC pin voltage increases to $V_{CC(ON)}$, the IC starts operation, and the circuit current increases. After that, the VCC pin voltage decreases. When the VCC pin voltage decreases to $V_{CC(OFF)} = 8.5 \text{ V}$, the control circuit stops operation.

Skipping the UVLO operation of $V_{CC(OFF)}$ (see Section 9.2), the intermittent operation makes the non-switching interval longer and restricts the temperature rise of the power MOSFET.

When the abnormal condition is removed, the IC returns to normal operation automatically.

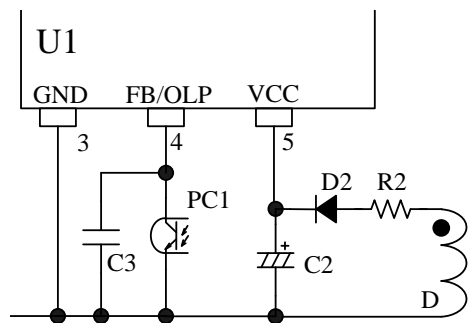


Figure 9-17. FB/OLP Pin Peripheral Circuit

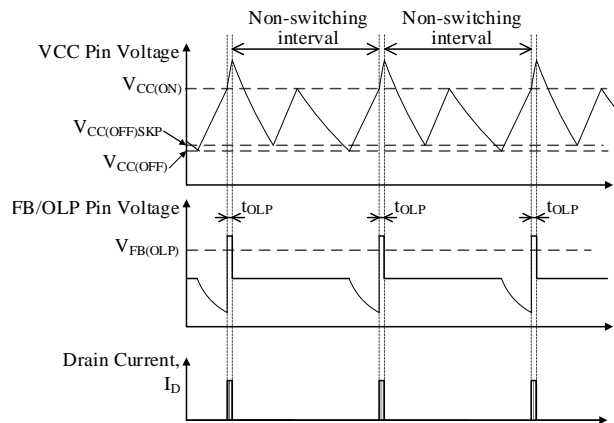


Figure 9-18. OLP Operational Waveforms

9.12. Overvoltage Protection (OVP)

When a voltage between VCC pin and GND terminal increases to $V_{CC(OVP)} = 29.1 \text{ V}$ or more, Overvoltage Protection (OVP) is activated. The IC has two operation types of OVP. One is the latched shutdown. The other is auto-restart.

In case the VCC pin voltage is provided by using

auxiliary winding of transformer, the overvoltage conditions such as output voltage detection circuit open can be detected because the VCC pin voltage is proportional to output voltage. The approximate value of output voltage $V_{OUT(OVP)}$ in OVP condition is calculated by using Equation (4).

$$V_{OUT(OVP)} = \frac{V_{OUT(NORMAL)}}{V_{CC(NORMAL)}} \times 29.1 \text{ (V)} \quad (4)$$

where,
 $V_{OUT(NORMAL)}$ is output voltage in normal operation, and
 $V_{CC(NORMAL)}$ is VCC pin voltage in normal operation.

9.12.1. Latched Shutdown Type: STR6A153MV

When the OVP is activated, the IC stops switching operation at the latched state. In order to keep the latched state, when VCC pin voltage decreases to $V_{CC(BIAS)}$, the Bias Assist Function is activated and VCC pin voltage is kept to over the $V_{CC(OFF)}$.

Releasing the latched state is done by turning off the input voltage and by dropping the VCC pin voltage below $V_{CC(OFF)}$.

9.12.2. Auto-restart Type: STR6A16xHVD

When the OVP is activated, the IC stops switching operation. During OVP operation, the Bias Assist Function is disabled, the intermittent operation by UVLO is repeated. When the fault condition is removed, the IC returns to normal operation automatically (see Figure 9-19).

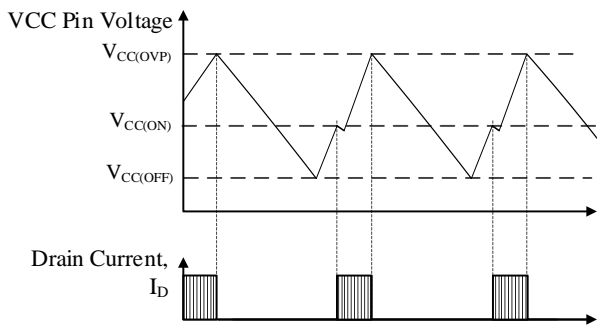


Figure 9-19. OVP Operational Waveforms

9.13. Thermal Shutdown (TSD)

When the temperature of control circuit increases to $T_{j(TSD)} = 145 \text{ }^\circ\text{C}$ or more, Thermal Shutdown (TSD) is activated. The IC has two operation types of TSD. One is latched shutdown, the other is auto-restart.

9.13.1. Latched Shutdown Type: STR6A153MV

When the TSD is activated, the IC stops switching operation at the latched state. In order to keep the latched state, when VCC pin voltage decreases to $V_{CC(BIAS)}$, the Bias Assist Function is activated and VCC pin voltage is kept to over the $V_{CC(OFF)}$. Releasing the latched state is done by turning off the input voltage and by dropping the VCC pin voltage below $V_{CC(OFF)}$.

9.13.2. Auto-restart Type: STR6A16xHVD

Figure 9-20 shows the TSD operational waveforms. When TSD is activated, and the IC stops switching operation. After that, VCC pin voltage decreases. When the VCC pin voltage decreases $V_{CC(BIAS)}$, the Bias Assist Function is activated and VCC pin voltage is kept to over the $V_{CC(OFF)}$.

When the temperature reduces to less than $T_{j(TSD)} - T_{j(TSD)HYS}$, the Bias Assist Function is disabled and the VCC pin voltage decreases to $V_{CC(OFF)}$. At that time, the IC stops operation by the UVLO circuit and reverts to the state before startup. After that, the startup circuit is activated, the VCC pin voltage increases to $V_{CC(ON)}$, and the IC starts switching operation again.

In this way, the intermittent operation by TSD and UVLO is repeated while there is an excess thermal condition.

When the fault condition is removed, the IC returns to normal operation automatically.

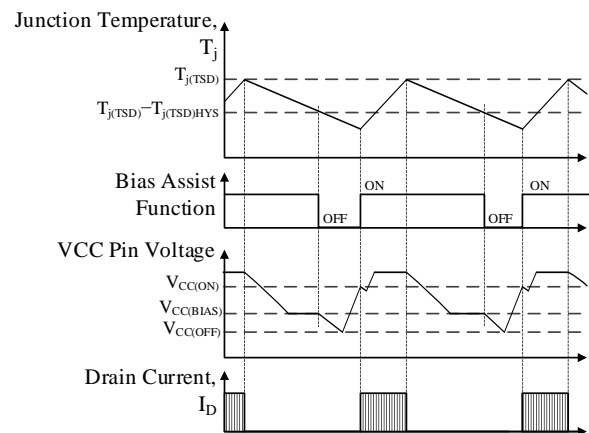


Figure 9-20. TSD Operational Waveforms (Auto-restart)

10. Design Notes

10.1. External Components

Take care to use properly rated, including derating as necessary and proper type of components.

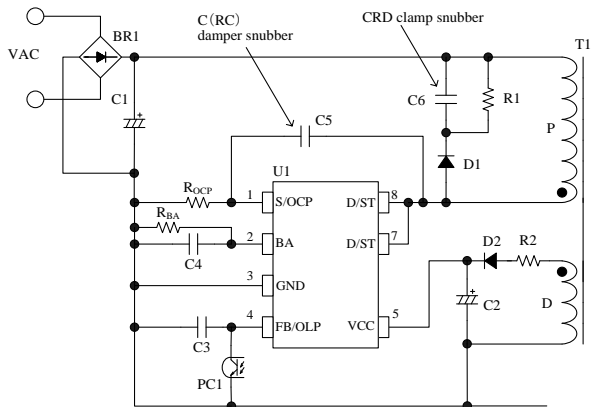


Figure 10-1. The IC Peripheral Circuit

10.1.1. Input and Output Electrolytic Capacitor

Apply proper derating to ripple current, voltage, and temperature rise. Use of high ripple current and low impedance types, designed for switch mode power supplies, is recommended.

10.1.2. S/OCP Pin Peripheral Circuit

In Figure 10-1, R_{OCP} is the resistor for the current detection. A high frequency switching current flows to R_{OCP} , and may cause poor operation if a high inductance resistor is used. Choose a low inductance and high surge-tolerant type.

10.1.3. BA Pin Peripheral Circuit

The FB/OLP pin oscillation stop threshold voltage is selected by the value of R_{BA} connected to the BA pin (see Section 9.9 Operation Mode). The reference value of C4 is from 1000 pF to 2200 pF for high frequency noise rejection

10.1.4. FB/OLP Pin Peripheral Circuit

C3 is for high frequency noise reduction and phase compensation, and should be connected close to these pins. The value of C3 is recommended to be about 2200 pF to 0.01 μ F, and should be selected based on actual operation in the application.

10.1.5. VCC Pin Peripheral Circuit

The value of C2 is generally recommended to be 10 μ F to 47 μ F (see Section 9.1 Startup Operation, because the startup time is determined by the value of C2). In actual power supply circuits, there are cases in which the VCC pin voltage fluctuates in proportion to the output current, I_{OUT} (see Figure 10-1), and the Overvoltage Protection (OVP) on the VCC pin may be activated. This happens because C2 is charged to a peak voltage on the auxiliary winding D, which is caused by the transient surge voltage coupled from the primary winding when the power MOSFET turns off. For alleviating C2 peak charging, it is effective to add some value R2, of several tenths of ohms to several ohms, in series with D2 (see Figure 10-1). The optimal value of R2 should be determined using a transformer matching what will be used in the actual application, because the variation of the auxiliary winding voltage is affected by the transformer structural design.

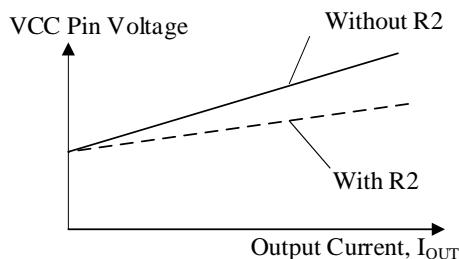


Figure 10-2. Variation of VCC Pin Voltage and Power

10.1.6. Snubber Circuit

In case the surge voltage of V_{DS} is large, the circuit should be added as follows (see Figure 10-1);

- A clamp snubber circuit of a capacitor-resistor-diode (CRD) combination should be added on the primary winding P.
- A damper snubber circuit of a capacitor (C) or a resistor-capacitor (RC) combination should be added between the D/ST pin and the S/GND pin. In case the damper snubber circuit is added, this components should be connected near D/ST pin and S/OCP pin.

10.1.7. Phase Compensation

A typical phase compensation circuit with a secondary shunt regulator (U51) is shown in Figure 10-3. C52 and R53 are for phase compensation. The value of C52 and R53 are recommended to be around 0.047μF to 0.47μF and 4.7 kΩ to 470 kΩ, respectively. They should be selected based on actual operation in the application.

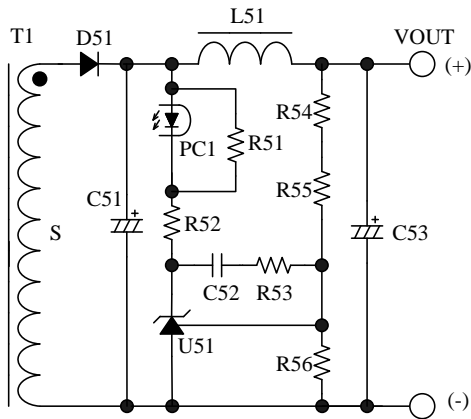


Figure 10-3. Peripheral Circuit Around Secondary Shunt Regulator (U51)

10.1.8. Transformer

Apply proper design margin to core temperature rise by core loss and copper loss.

Because the switching currents contain high frequency currents, the skin effect may become a consideration.

Choose a suitable wire gauge in consideration of the RMS current and a current density of 4 to 6 A/mm².

If measures to further reduce temperature are still necessary, the following should be considered to increase the total surface area of the wiring:

- Increase the number of wires in parallel.
- Use litz wires.
- Thicken the wire gauge.

In the following cases, the surge of VCC pin voltage becomes high.

- The surge voltage of primary main winding, P, is high (low output voltage and high output current power supply designs)
- The winding structure of auxiliary winding, D, is susceptible to the noise of winding P.

When the surge voltage of winding D is high, the VCC pin voltage increases and the Overvoltage Protection (OVP) may be activated. In transformer design, the following should be considered;

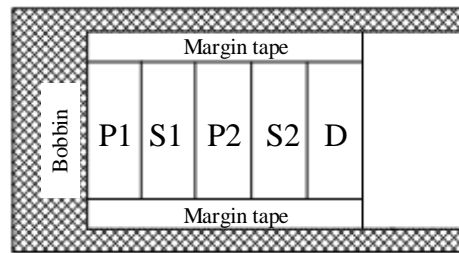
- The coupling of the winding P and the secondary

output winding S should be maximized to reduce the leakage inductance.

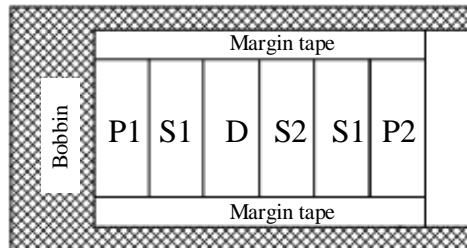
- The coupling of the winding D and the winding S should be maximized.
- The coupling of the winding D and the winding P should be minimized.

In the case of multi-output power supply, the coupling of the secondary-side stabilized output winding, S1, and the others (S2, S3···) should be maximized to improve the line-regulation of those outputs.

Figure 10-4 shows the winding structural examples of two outputs.



Winding Structural Example (a)



Winding Structural Example (b)

Figure 10-4. Winding Structural Examples

- Winding Structural Example (a): S1 is sandwiched between P1 and P2 to maximize the coupling of them for surge reduction of P1 and P2. D is placed far from P1 and P2 to minimize the coupling to the primary for the surge reduction of D.
- Winding Structural Example (b) P1 and P2 are placed close to S1 to maximize the coupling of S1 for surge reduction of P1 and P2. D and S2 are sandwiched by S1 to maximize the coupling of D and S1, and that of S1 and S2. This structure reduces the surge of D, and improves the line-regulation of outputs.

10.2. PCB Trace Layout and Component Placement

Since the PCB circuit trace design and the component layout significantly affects operation, EMI noise, and power dissipation, the high frequency PCB trace should be low impedance with small loop and wide trace.

In addition, the ground traces affect radiated EMI noise, and wide, short traces should be taken into account.

Figure 10-5 shows the circuit design example.

(1) Main Circuit Trace Layout

This is the main trace containing switching currents, and thus it should be as wide trace and small loop as possible.

If C1 and the IC are distant from each other, placing a capacitor such as film capacitor (about 0.1 μ F and with proper voltage rating) close to the transformer or the IC is recommended to reduce impedance of the high frequency current loop.

(2) Control Ground Trace Layout

Since the operation of IC may be affected from the large current of the main trace that flows in control ground trace, the control ground trace should be separated from main trace and connected at a single point grounding of point A in Figure 10-5 as close to the R_{OCP} pin as possible.

(3) VCC Trace Layout:

This is the trace for supplying power to the IC, and thus it should be as small loop as possible. If C2 and the IC are distant from each other, placing a capacitor

such as film capacitor C_f (about 0.1 μ F to 1.0 μ F) close to the VCC pin and the GND pin is recommended.

(4) R_{OCP} Trace Layout

R_{OCP} should be placed as close as possible to the S/OCP pin. The connection between the power ground of the main trace and the IC ground should be at a single point ground (point A in Figure 10-5) which is close to the base of R_{OCP}.

(5) Peripheral components of the IC

The components for control connected to the IC should be placed as close as possible to the IC, and should be connected as short as possible to the each pin.

(6) Secondary Rectifier Smoothing Circuit Trace Layout:

This is the trace of the rectifier smoothing loop, carrying the switching current, and thus it should be as wide trace and small loop as possible. If this trace is thin and long, inductance resulting from the loop may increase surge voltage at turning off the power MOSFET. Proper rectifier smoothing trace layout helps to increase margin against the power MOSFET breakdown voltage, and reduces stress on the clamp snubber circuit and losses in it.

(7) Thermal Considerations

Because the power MOSFET has a positive thermal coefficient of R_{DS(ON)}, consider it in thermal design. Since the copper area under the IC and the D/ST pin trace act as a heatsink, its traces should be as wide as possible.

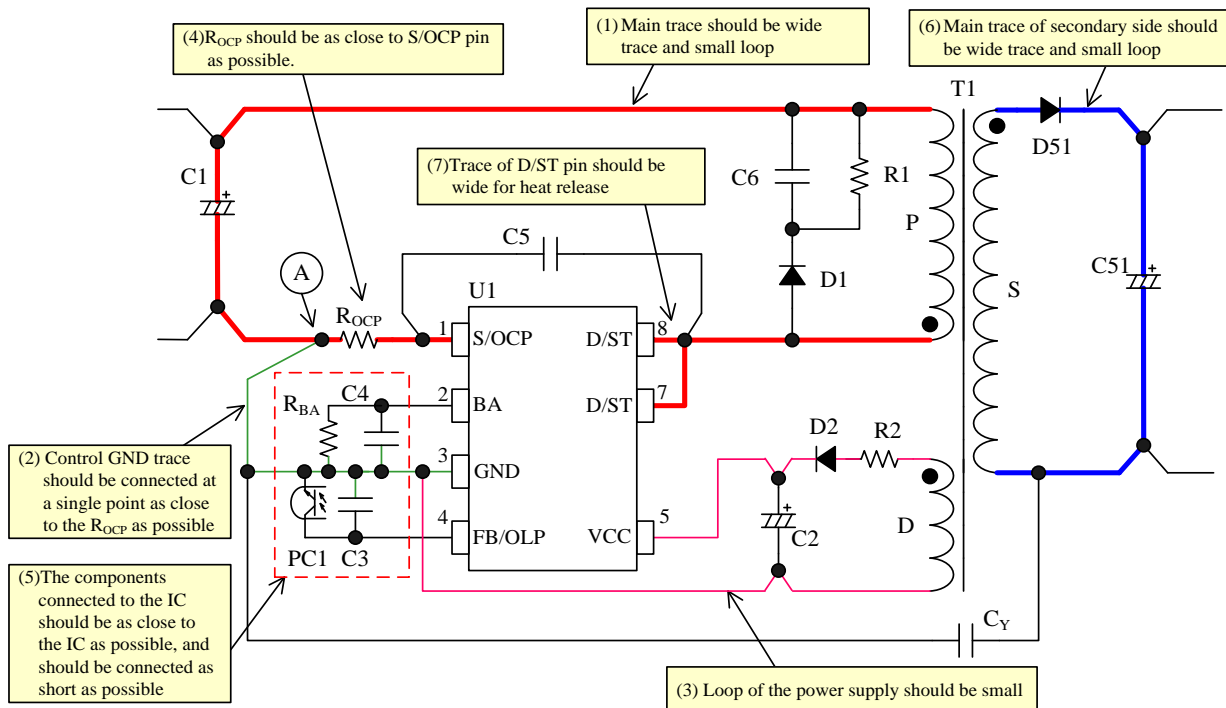


Figure 10-5. Peripheral Circuit Example Around the IC

11. Pattern Layout Example

The following show the PCB pattern layout example and the schematic of circuit using STR6A100MV/HVD series. The PCB pattern layout example is made usable to other ICs in common. The parts in Figure 11-2 are only used.

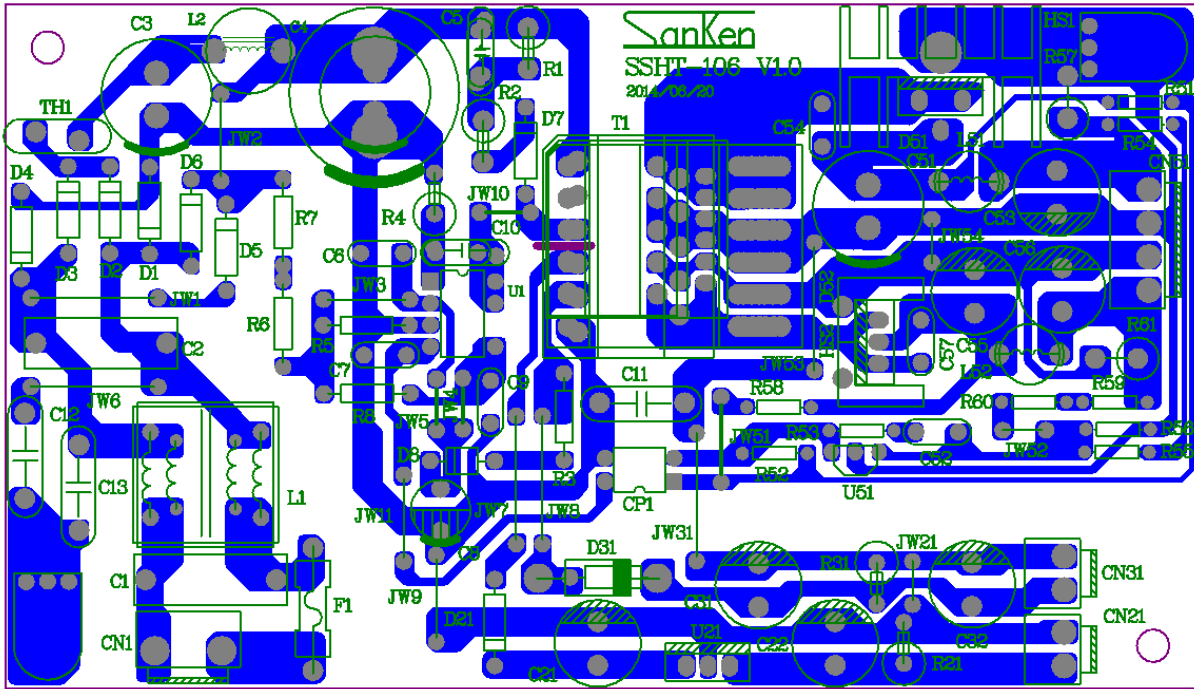


Figure 11-1 PCB Circuit Trace Layout Example

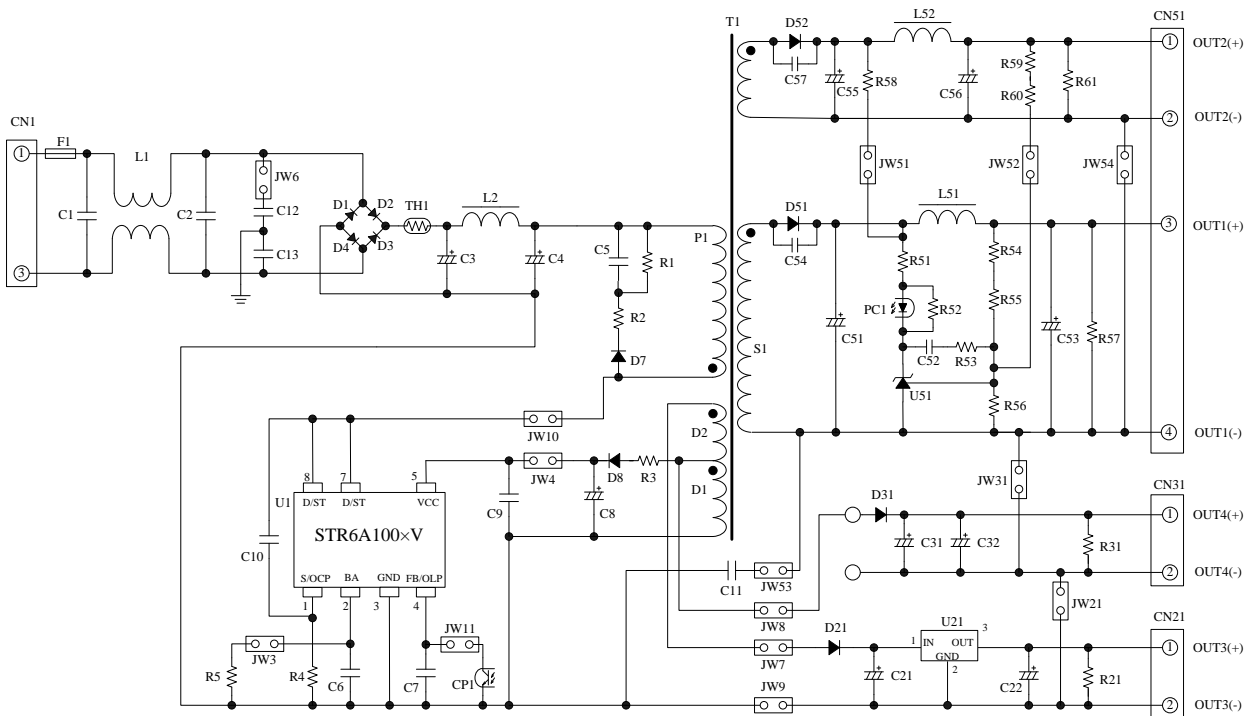


Figure 11-2 Circuit Schematic for PCB Circuit Trace Layout

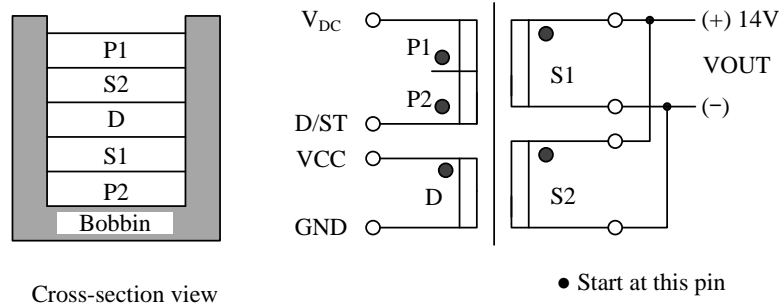


Figure 12-1. Winding Structure

12.4. Bill of Materials

Symbol	Part Type	Ratings ⁽¹⁾	Recommended Sanken Parts	Symbol	Part Type	Ratings ⁽¹⁾	Recommended Sanken Parts
C1 ⁽²⁾	Film, X2	0.033 μ F, 275 V		L2 ⁽²⁾	Inductor	Short	
C2	Electrolytic	Open		L51 ⁽²⁾	Inductor	Short	
C3	Electrolytic	82 μ F, 400 V		PC1	Photo-coupler	PC123 or equiv	
C4	Electrolytic	Open		R1 ⁽³⁾	Metal oxide	470 k Ω , 1 W	
C5	Ceramic	1000 pF, 630 V		R2 ⁽²⁾	General	Short	
C6	Ceramic	1000 pF		R3	General	4.7 Ω	
C7 ⁽²⁾	Ceramic	0.01 μ F		R4	General	1 Ω , 1 W	
C8 ⁽²⁾	Electrolytic	22 μ F, 50 V		R5	General	330 k Ω	
C9 ⁽²⁾	Ceramic	Open		R51	General	2.2 k Ω	
C10 ⁽²⁾	Ceramic	Open		R52	General	1.5 k Ω	
C11	Ceramic, Y1	2200 pF, 250 V		R53 ⁽²⁾	General	10 k Ω	
C51	Electrolytic	1000 μ F, 25V		R54	General	6.8 k Ω	
C52	Ceramic	0.22 μ F, 50V		R55	General, 1%	39 k Ω	
C53	Electrolytic	Open		R56	General, 1%	10 k Ω	
C54	Ceramic	Open		R57	General	Open	
D1	General	600 V, 1 A	EM01A	T1	Transformer	See the specification	
D2	General	600 V, 1 A	EM01A	TH1 ⁽²⁾	NTC thermistor	Short	
D3	General	600 V, 1 A	EM01A	U1	IC	—	STR6A163HVD
D4	General	600 V, 1 A	EM01A	U51	Shunt regulator	$V_{REF}=2.5V$ TL431 or equiv	
D7	Fast recovery	1000V, 0.5A	EG01C	JW3	Short		
D8	Fast recovery	200 V, 1 A	AL01Z	JW4	Short		
D51	Schottky	100 V, 10 A	FMEN-210A	JW10	Short		
F1	Fuse	AC250V, 2 A		JW11	Short		
L1 ⁽²⁾	CM inductor	3.3 mH		JW53	Short		

⁽¹⁾ Unless otherwise specified, the voltage rating of capacitor is 50 V or less and the power rating of resistor is 1/8 W or less.

⁽²⁾ It is necessary to be adjusted based on actual operation in the application.

⁽³⁾ Resistors applied high DC voltage and of high resistance are recommended to select resistors designed against electromigration or use combinations of resistors in series for that to reduce each applied voltage, according to the requirement of the application.

Important Notes

- All data, illustrations, graphs, tables and any other information included in this document (the “Information”) as to Sanken’s products listed herein (the “Sanken Products”) are current as of the date this document is issued. The Information is subject to any change without notice due to improvement of the Sanken Products, etc. Please make sure to confirm with a Sanken sales representative that the contents set forth in this document reflect the latest revisions before use.
- The Sanken Products are intended for use as components of general purpose electronic equipment or apparatus (such as home appliances, office equipment, telecommunication equipment, measuring equipment, etc.). Prior to use of the Sanken Products, please put your signature, or affix your name and seal, on the specification documents of the Sanken Products and return them to Sanken. When considering use of the Sanken Products for any applications that require higher reliability (such as transportation equipment and its control systems, traffic signal control systems or equipment, disaster/crime alarm systems, various safety devices, etc.), you must contact a Sanken sales representative to discuss the suitability of such use and put your signature, or affix your name and seal, on the specification documents of the Sanken Products and return them to Sanken, prior to the use of the Sanken Products. The Sanken Products are not intended for use in any applications that require extremely high reliability such as: aerospace equipment; nuclear power control systems; and medical equipment or systems, whose failure or malfunction may result in death or serious injury to people, i.e., medical devices in Class III or a higher class as defined by relevant laws of Japan (collectively, the “Specific Applications”). Sanken assumes no liability or responsibility whatsoever for any and all damages and losses that may be suffered by you, users or any third party, resulting from the use of the Sanken Products in the Specific Applications or in manner not in compliance with the instructions set forth herein.
- In the event of using the Sanken Products by either (i) combining other products or materials or both therewith or (ii) physically, chemically or otherwise processing or treating or both the same, you must duly consider all possible risks that may result from all such uses in advance and proceed therewith at your own responsibility.
- Although Sanken is making efforts to enhance the quality and reliability of its products, it is impossible to completely avoid the occurrence of any failure or defect or both in semiconductor products at a certain rate. You must take, at your own responsibility, preventative measures including using a sufficient safety design and confirming safety of any equipment or systems in/for which the Sanken Products are used, upon due consideration of a failure occurrence rate and derating, etc., in order not to cause any human injury or death, fire accident or social harm which may result from any failure or malfunction of the Sanken Products. Please refer to the relevant specification documents and Sanken’s official website in relation to derating.
- No anti-radioactive ray design has been adopted for the Sanken Products.
- The circuit constant, operation examples, circuit examples, pattern layout examples, design examples, recommended examples, all information and evaluation results based thereon, etc., described in this document are presented for the sole purpose of reference of use of the Sanken Products.
- Sanken assumes no responsibility whatsoever for any and all damages and losses that may be suffered by you, users or any third party, or any possible infringement of any and all property rights including intellectual property rights and any other rights of you, users or any third party, resulting from the Information.
- No information in this document can be transcribed or copied or both without Sanken’s prior written consent.
- Regarding the Information, no license, express, implied or otherwise, is granted hereby under any intellectual property rights and any other rights of Sanken.
- Unless otherwise agreed in writing between Sanken and you, Sanken makes no warranty of any kind, whether express or implied, including, without limitation, any warranty (i) as to the quality or performance of the Sanken Products (such as implied warranty of merchantability, and implied warranty of fitness for a particular purpose or special environment), (ii) that any Sanken Product is delivered free of claims of third parties by way of infringement or the like, (iii) that may arise from course of performance, course of dealing or usage of trade, and (iv) as to the Information (including its accuracy, usefulness, and reliability).
- In the event of using the Sanken Products, you must use the same after carefully examining all applicable environmental laws and regulations that regulate the inclusion or use or both of any particular controlled substances, including, but not limited to, the EU RoHS Directive, so as to be in strict compliance with such applicable laws and regulations.
- You must not use the Sanken Products or the Information for the purpose of any military applications or use, including but not limited to the development of weapons of mass destruction. In the event of exporting the Sanken Products or the Information, or providing them for non-residents, you must comply with all applicable export control laws and regulations in each country including the U.S. Export Administration Regulations (EAR) and the Foreign Exchange and Foreign Trade Act of Japan, and follow the procedures required by such applicable laws and regulations.
- Sanken assumes no responsibility for any troubles, which may occur during the transportation of the Sanken Products including the falling thereof, out of Sanken’s distribution network.
- Although Sanken has prepared this document with its due care to pursue the accuracy thereof, Sanken does not warrant that it is error free and Sanken assumes no liability whatsoever for any and all damages and losses which may be suffered by you resulting from any possible errors or omissions in connection with the Information.
- Please refer to our official website in relation to general instructions and directions for using the Sanken Products, and refer to the relevant specification documents in relation to particular precautions when using the Sanken Products.
- All rights and title in and to any specific trademark or tradename belong to Sanken and such original right holder(s).

DSGN-CEZ-16003