

Label

Input connector

Output voltage adjuster

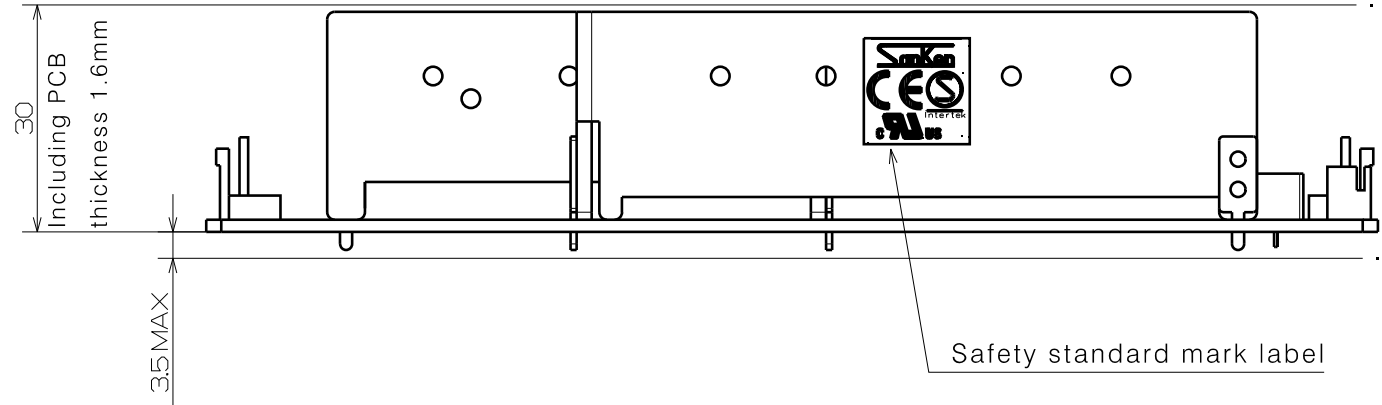
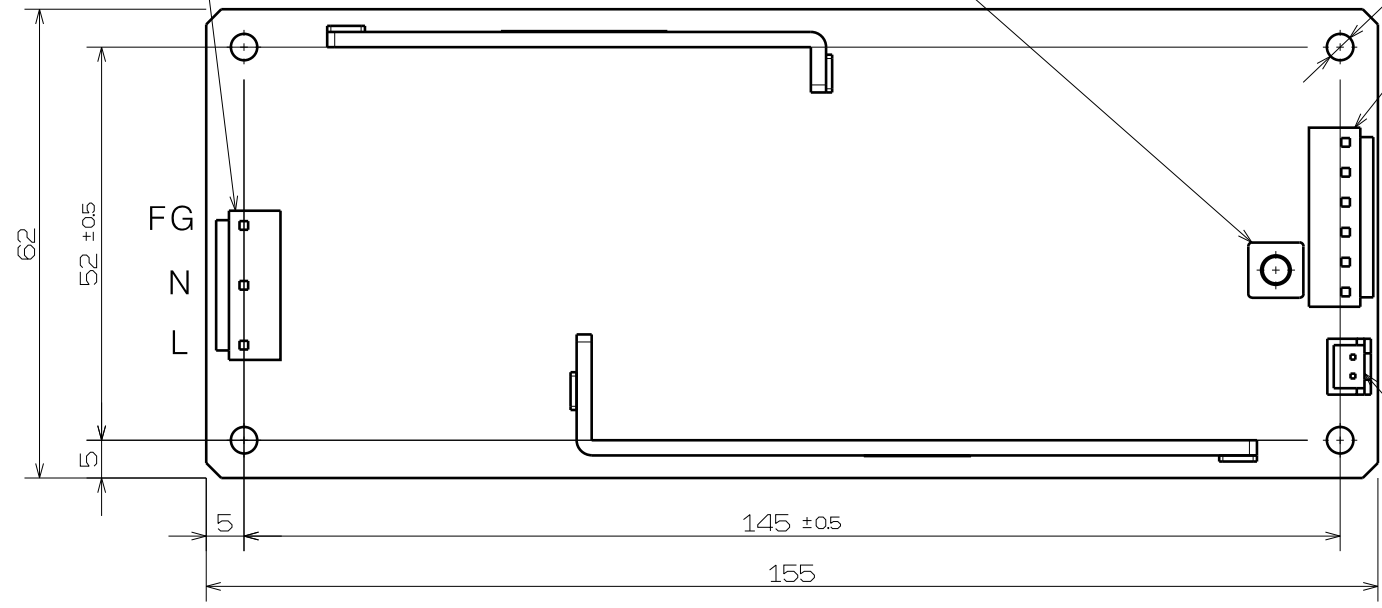
4- ϕ 3.5 Mounting screw holes

Output connector

-V

+V

Remote ON/OFF connector (-R option)



Safety standard mark label

Note1. Unless Otherwise Specified, Tolerance $\pm 1.0\text{mm}$
 Note2. Please read the instruction manual before use.

REVISIONS		APPROVED BY	TITLE. 名称 SWJ150P series External view drawing
		承認	
ASSOC. DWG. NO. 関係車図番		CHECKED BY	DWG. NO. 図番
		照査	
SANKEN ELECTRIC CO.,LTD. サンケン電気株式会社		DESIGNED BY	SWJ150P
		設計 Y.Sanao	
		DATE 日付 '18.11.16	
		SCALE 尺度 1/1	
		3RD.ANG.PROJ. 第3角法	
		UNIT単位 mm	