

## 1. Scope

The present specifications shall apply to an VR-60SS.

## 2. Outline

Type	Symmetry Type Silicon Varistor
Structure	Resin Molded
Applications	Over Voltage Protection

## 3. Flammability

UL94V-0(Equivalent)

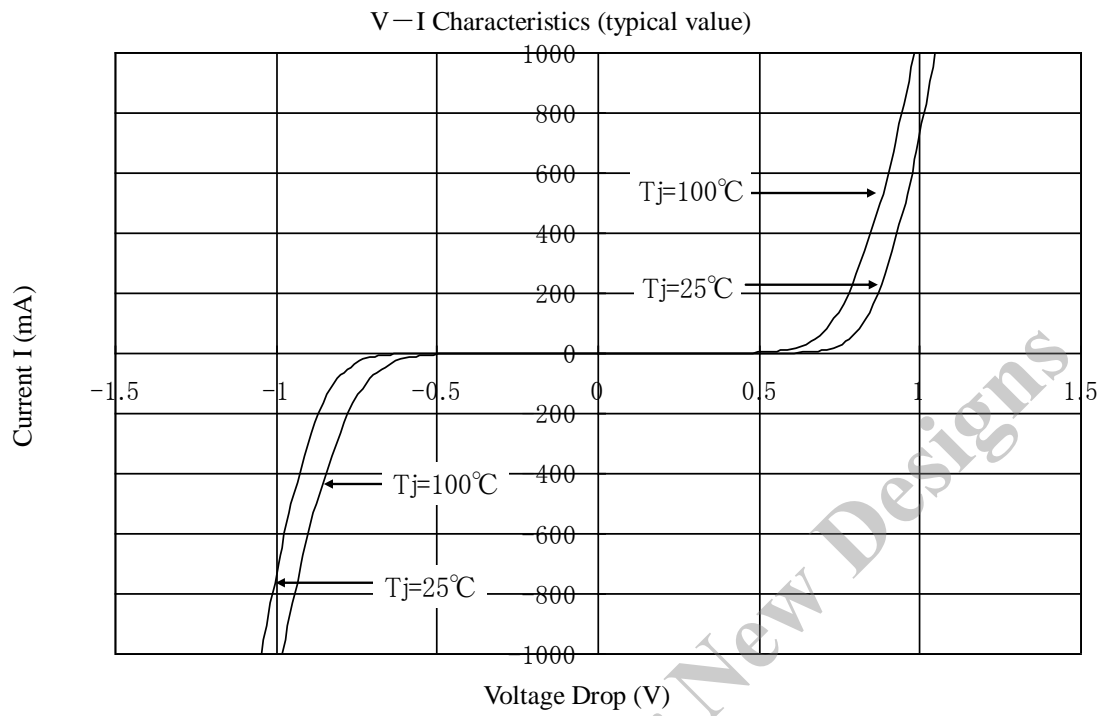
## 4. Absolute maximum ratings

No.	Item	Symbol	Unit	Rating	Conditions
1	Direct current	$I_o$	mA	400	
2	Peak Surge Forward Current	$I_{FSM}$	A	15	10ms. Half sinewave, one shot
3	Junction Temperature	$T_j$	°C	-40 to +100	
4	Storage Temperature	$T_{stg}$	°C	-40 to +100	

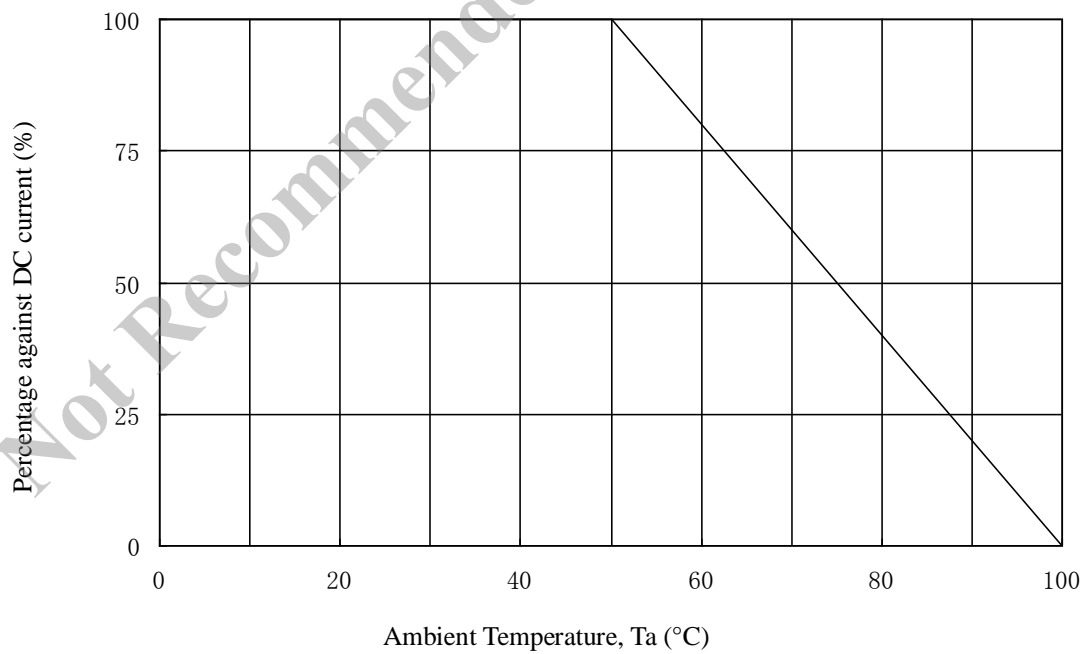
5. Electrical characteristics ( $T_a=25^{\circ}\text{C}$ , unless otherwise specified)

No.	Item	Symbol	Unit	Rating	Conditions	
1	Forward Voltage Drop (1)	$V_{F1}$	V	1.5 max.	$I_F=1.0\text{A}$	Both Direction
2	Forward Voltage Drop (2)	$V_{F2}$	V	————	$I_F=1.0\text{mA}$	
3	Forward Leakage Current	$I_F$	uA	20 max.	$V_F=0.2\text{V}$	
4	Thermal Resistance	$R_{th(j-l)}$	°C/W	20 max.	Between Junction and Lead	

6. Characteristics

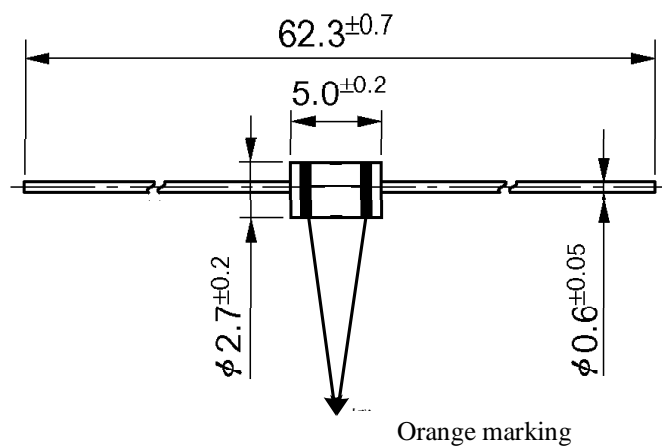


7. Derating



## 8. Package information

Package type, physical dimensions and marking



- \*1 The allowance position of Body against the center of whole lead wire is 0.5mm(max.)
- \*2 The centric allowance of lead wire against center of physical body is 0.3mm(max.)
- \*3 The burr may exit up to 2mm from the body of lead

Dimensions in mm