

150 V, 3 A / 5 A Schottky Diodes SJPE Series

Overview

The SJPE series are 150 V, 3 A/5 A Schottky diodes, which are supplied in small surface-mount SJP packages. With characteristics incl. low V_F and low leakage current, our new diodes can provide low-loss, low-noise circuits in your applications.

As its surface-mount package allows currents up to 5 A to flow, the SJPE series offers the best option for diodes primarily used in small-sized power supply systems, e.g., secondary-side rectifier diodes.

Features

- 150 V, 3 A / 5 A
- Low V_F
- Low leakage current
- Low noise

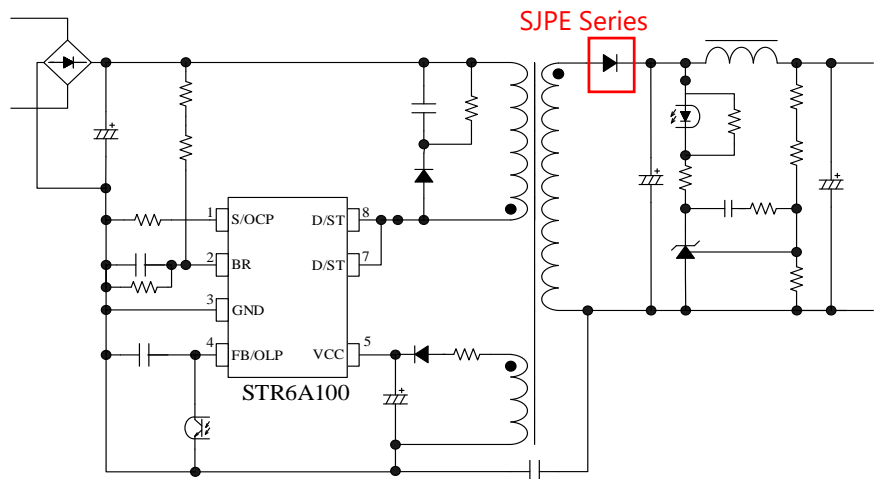
Package

SJP
(2.6 × 4.5 × 2.15t mm)



Applications

- Secondary-side rectifier diode
(high-power charger, small adapter, etc.)



Selection Guide (Preliminary)

($T_A = 25\text{ }^\circ\text{C}$)

*Engineering samples available

Part Number	V_{RM}	$I_{F(AV)}$	I_{FSM}	V_F (typ.)		I_R (max.) ($V_R = V_{RM}$)	H· I_R (max.) ($V_R = V_{RM}$, $T_J = 150\text{ }^\circ\text{C}$)	$R_{th(J-L)}$ (max.)
					I_F			
SJPE-L15	150 V	3 A	40 A	0.9 V	3 A	60 μA	15 mA	20 $^\circ\text{C/W}$
SJPE-T15		5 A	75 A	0.9 V	5 A	100 μA	25 mA	20 $^\circ\text{C/W}$